

# ACCESSORIES

*Edition 1*





# FOR THERE ARE MORE IMPORTANT THINGS IN LIFE...

It is a great pleasure for us that you are holding our catalogue about our extensive range of accessories in your hands today. You have already taken the first step towards gaining time in the future and having fun with accessories again.

As a family business, we know what it means to think long term, to always have the customer in mind. This gave birth to the new range of accessories: Based on our high-quality standards, we have created a product range in a timeless design, with a unique continuity from the shower rail to the washbasin. You can choose from a wide variety of materials and colours.

For there are more important things in life: Yes, we care about your time and everything is so easy with our accessories.

As early as the bathroom planning stage, all product data can be accessed electronically in all common formats for quick and easy planning. Should you have any questions during the planning process, we will naturally be happy to assist you. Uncomplicated patterns

support the sales pitch just as much as the guaranteed, exclusive two-tier approach. Exit comparability with us! After that, everything is comfortable and fast: order, delivery, invoice - experience the new ERLAU standard! This is what we mean by worth living!

Enjoy leafing through our catalogue and let yourself be inspired! Our customer service will happily also present the series to you in person. Do you want to start right away? Then take advantage of the head start we are giving you! For there are more important things in life.

Your  
Dr. Benjamin Rieger





**Always well rounded**  
Flowing shapes ensure the  
feel-good factor in your  
bathroom.

From page 12



NEW

CIRCLE

**Clear edges**

Create a modern bathroom  
with corners and edges. The  
new CUBE series makes a  
design statement.

From page 44



NEW

CUBE

**A dazzling appearance**

The timeless classic, match-  
ing our  
handle systems in  
high-polish anodised ma-  
terials.

From page 68



DECORLUX | PROJECT INTERIOR

C LERELLA







### Colour your life

The bathroom of the future is colourful, anyone can do it. Not monotonous.

From page 86



NEW

COLORit

### Accessories

Complementary accessories suitable for the series.

From page 118



DECORLUX PROJECT INTERIOR

## OUR PRODUCT VARIETY

### ERLAU general 6 - 11

Information and contact partners	6
Advantages	9
Colour variety	11

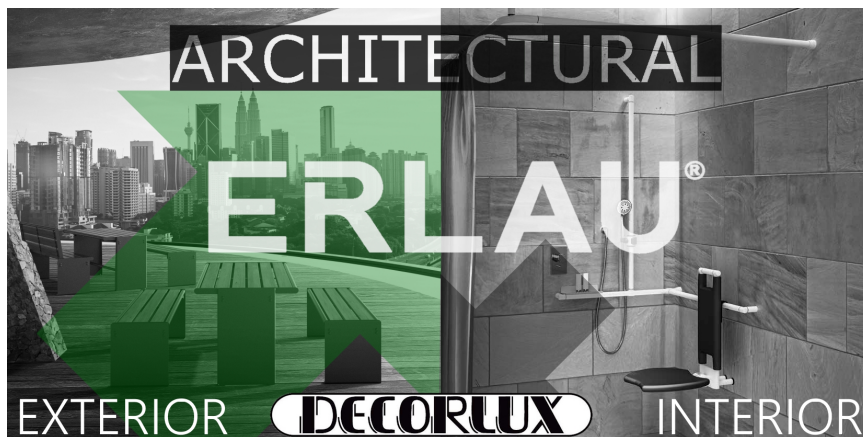
### ERLAU accessories 12 - 125

CIRCLE Chrome	12
CIRCLE Black	28
CUBE Chrome	44
CUBE Black	56
CLERELLA	68
COLOURit	86
ACCESSORIES	118

### ERLAU Information 126-127

Cleaning recommendation	126
Delivery & payment terms	127









# BENEFIT FROM THE ERLAU SERVICE!

FOR THERE ARE MORE IMPORTANT THINGS...

- ✓ **QUALITY**
- ✓ **JUST IN TIME**
- ✓ **FAMILY-MANAGED**
- ✓ **SERVICE**
- ✓ **DIRECT MANUFACTURER**

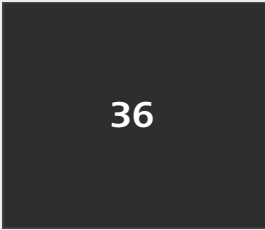



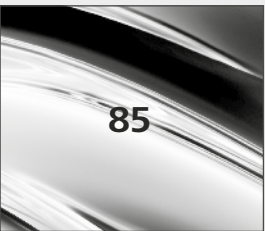


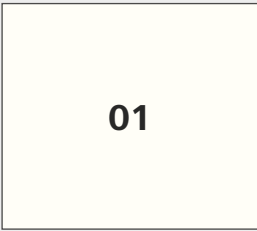

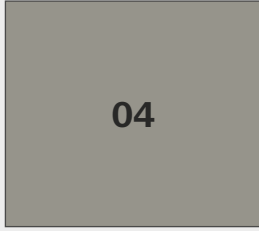
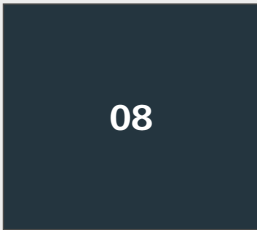
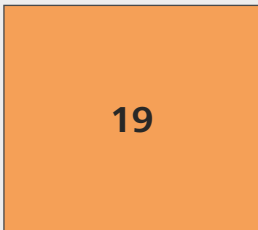
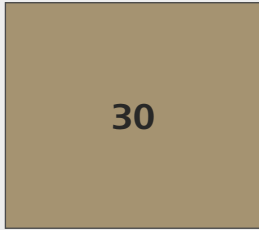
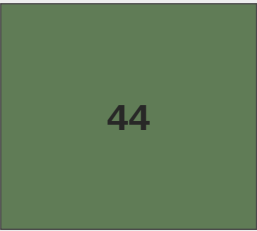
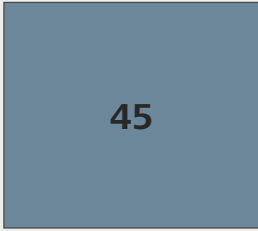


# COLOUR VARIANTS

## Accessories

<b>CIRCLE &amp; CUBE</b>	 <b>36</b>	 <b>85</b>
	Black matt	Chrome

<b>CLERELLA</b>	 <b>85</b>
	High-polish/anodised

<b>COLOURit</b>	 <b>01</b>	 <b>03</b>	 <b>04</b>
	Pure white, similar to RAL 9010	Ruby red, similar to RAL 3003	Stone grey, similar to RAL 7030
	 <b>08</b>	 <b>19</b>	 <b>30</b>
	Anthracite grey, similar to RAL 7016	Pastel yellow, similar to RAL 1034	Grey beige, similar to RAL 1019
	 <b>44</b>	 <b>45</b>	
	Reseda green, similar to RAL 6011	Aqua blue, similar to RAL 2205015	

Generally available from stock.

# Chrome line





# CIRCLE

With the symbol of unity, perfection and infinity, you perfectly complement the design of your bathroom.





# CIRCLE Chrome line



Single hook  
5486185



Double hook  
5486285



Soap dispensers  
5485885



Toilet roll holder  
5486485



Toilet roll holder with cover  
5483685



Spare toilet roll holder  
5486585



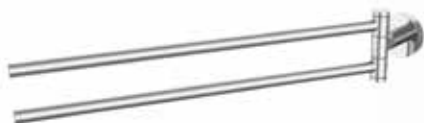
Soap dish  
5485985



Glass holder  
5485785



Toilet brush set  
5486785



Towel rail  
5486685



Towel rail  
600 - 5486885  
800 - 5486985

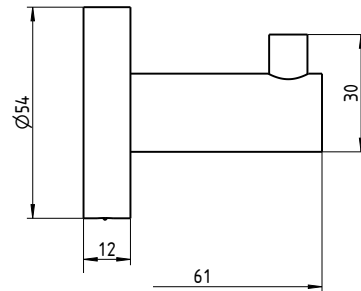
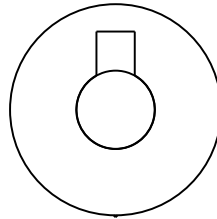


Towel ring  
5486085

CIRCLE

**SINGLE HOOK**

- Made of corrosion-resistant stainless steel, chrome-plated
- Includes concealed centralised fixing



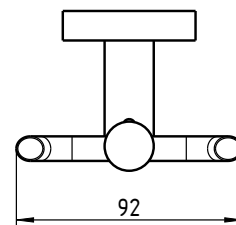
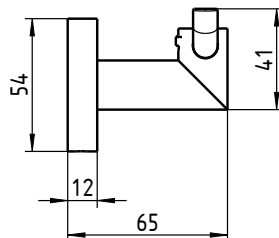
**SINGLE HOOK CIRCLE**

Article name	Reach in mm	Weight in kg	Art. no.
SINGLE HOOK CHROME	61	0.25	54 861 85

CIRCLE

**DOUBLE HOOK**

- Made of corrosion-resistant stainless steel, chrome-plated
- Includes concealed centralised fixing

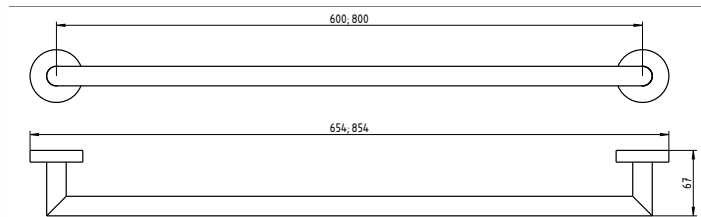


**DOUBLE HOOK CIRCLE**

Article name	Reach in mm	Weight in kg	Art. no.
DOUBLE HOOK CHROME	65	0.25	54 862 85

**CIRCLE  
TOWEL RAIL**

- Made of corrosion-resistant stainless steel, chrome-plated
- Length from 600mm or 800mm
- One holding rod, rigid
- Includes concealed centralised fixing



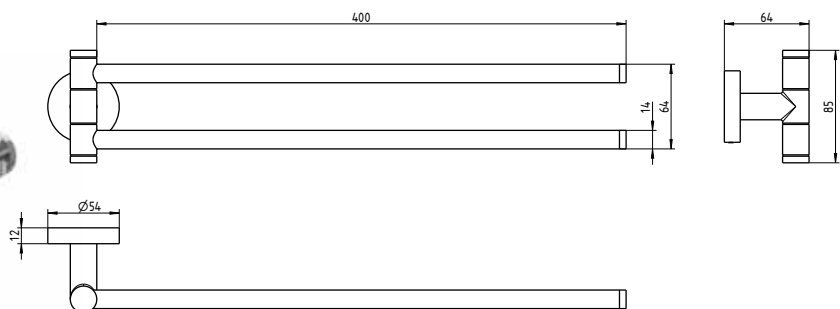
CIRCLE CHROME

**TOWEL RAIL CIRCLE**

Article name	Length (L) in mm	Weight in kg	Art. no.
TOWEL RAIL CHROME	600	0.66	54 868 85
TOWEL RAIL CHROME	800	0.83	54 869 85

**CIRCLE  
TOWEL RAIL,  
PIVOTING**

- Made of corrosion-resistant stainless steel, chrome-plated
- Two-arm, pivoting
- Includes concealed centralised fixing



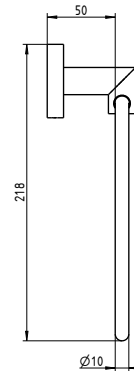
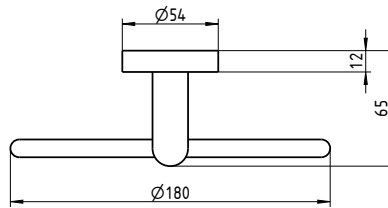
**TOWEL RAIL PIVOTING CIRCLE**

Article name	Reach in mm	Weight in kg	Art. no.
TOWEL RAIL SWB CHROME	400	0.66	54 866 85



CIRCLE  
**TOWEL RING**

- Made of corrosion-resistant stainless steel, chrome-plated
- Includes concealed centralised fixing

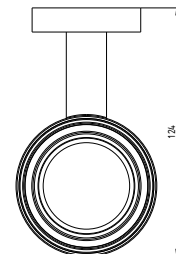
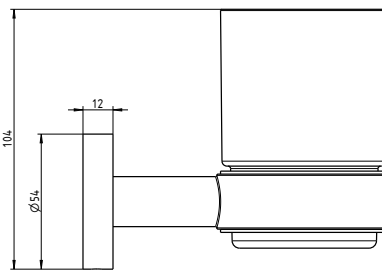
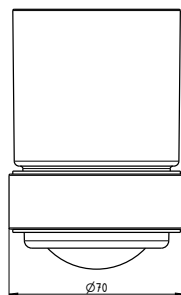


**TOWEL RING CIRCLE**

Article name	Dimensions in mm	Weight in kg	Art. no.
TOWEL RING CHROME	160	0.50	54 860 85

CIRCLE  
**GLASS HOLDER**

- Made of corrosion-resistant stainless steel, chrome-plated
- Safety glass with increased break resistance
- Includes concealed centralised fixing



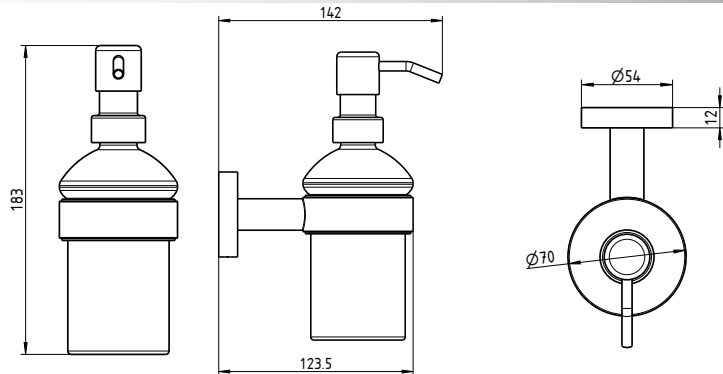
**GLASS HOLDER CIRCLE**

Article name	Reach in mm	Weight in kg	Art. no.
GLASS HOLDER CHROME	124	0.81	54 857 85

CIRCLE

**SOAP DISPENSER**

- Made of corrosion-resistant stainless steel, chrome-plated
- Safety glass with increased break resistance
- Includes concealed centralised fixing



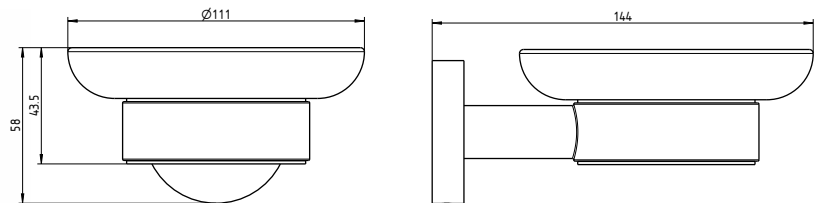
**SOAP DISPENSER CIRCLE**

Article name	Reach in mm	Weight in kg	Art. no.
SOAP DISPENSER CHROME	142	0.75	54 858 85

CIRCLE

**SOAP DISH**

- Made of corrosion-resistant stainless steel, chrome-plated
- Safety glass with increased break resistance
- Includes concealed centralised fixing



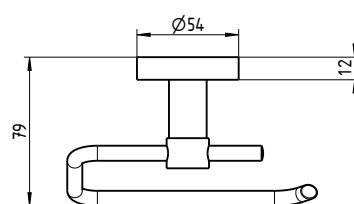
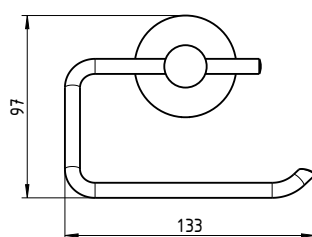
**SOAP DISH CIRCLE**

Article name	Reach in mm	Weight in kg	Art. no.
SOAP DISH CHROME	144	0.50	54 859 85

CIRCLE

## TOILET ROLL HOLDER

- Made of corrosion-resistant stainless steel, chrome-plated
- Without cover
- Includes concealed centralised fixing



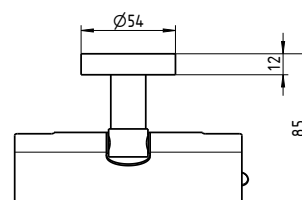
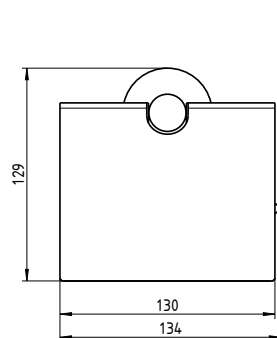
### TOILET ROLL HOLDER CIRCLE

Article name	Reach in mm	Weight in kg	Art. no.
TOILET ROLL HOLDER CHROME	79	0.40	54 864 85

CIRCLE

## TOILET ROLL HOLDER WITH COVER

- Made of corrosion-resistant stainless steel, chrome-plated
- With cover
- Includes concealed centralised fixing



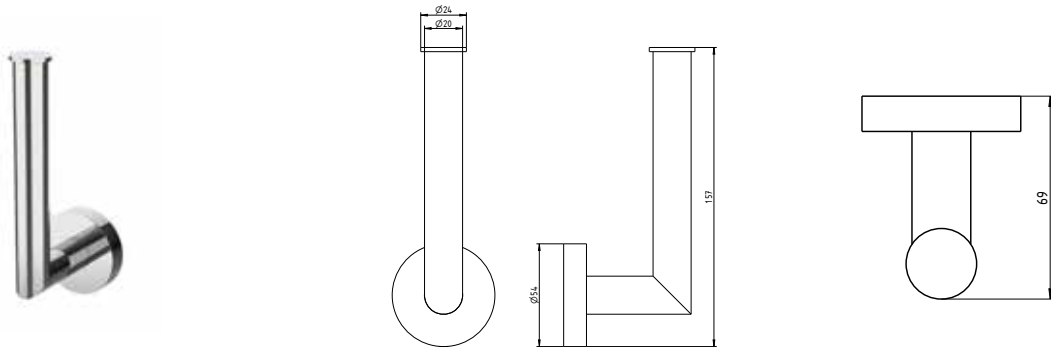
### TOILET ROLL HOLDER WITH COVER CIRCLE

Article name	Reach in mm	Weight in kg	Art. no.
TOILET ROLL HOLDER MD CHROME	85	0.50	54 863 85

CIRCLE

## SPARE TOILET ROLL HOLDER

- Made of corrosion-resistant stainless steel, chrome-plated
- Includes concealed centralised fixing



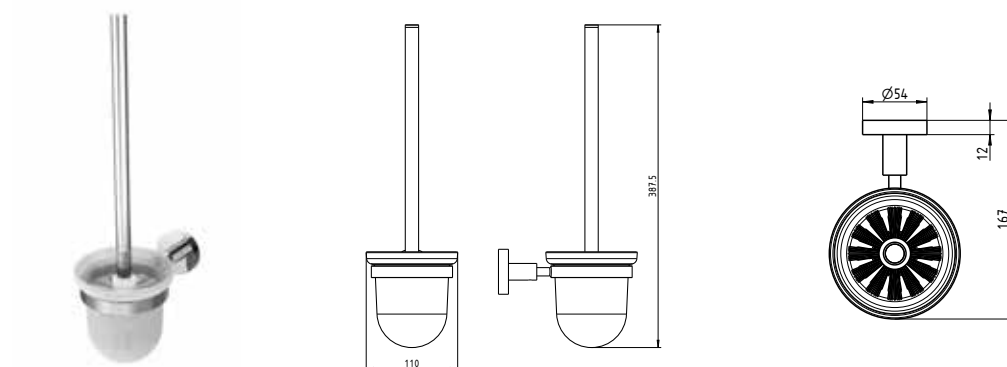
### SPARE TOILET ROLL HOLDER CIRCLE

Article name	Reach in mm	Weight in kg	Art. no.
SPARE TOILET ROLL HOLDER CHROME	69	0.25	54 865 85

CIRCLE

## TOILET BRUSH SET

- Made of corrosion-resistant stainless steel, chrome-plated
- Safety glass with increased break resistance
- Brush head in white
- Optional longer brush handle can be retrofitted (p.121)
- Includes concealed centralised fixing



### TOILET BRUSH SET CIRCLE

Article name	Reach in mm	Weight in kg	Art. no.
TOILET BRUSH SET CHROME	167	1.20	54 867 85



COMPLEMENTING ACCESSORIES

**TOWEL RAIL  
HG-V**

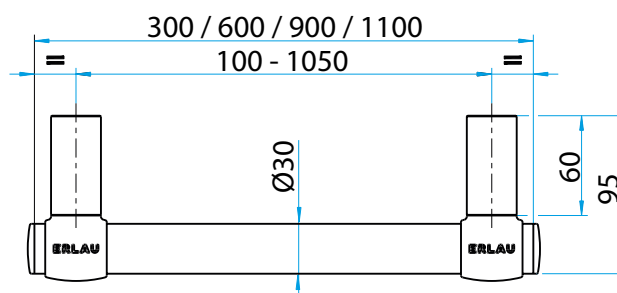
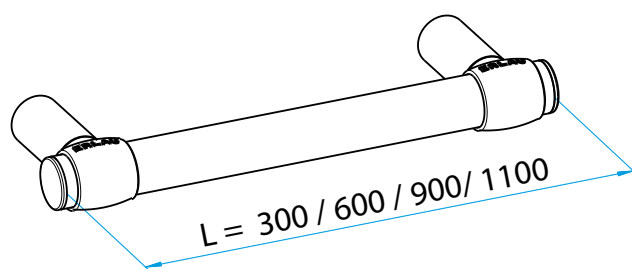
- Made of stainless steel, chrome-plated.
- Includes concealed centralised fixing without rosettes, variable.
- Very stable, resistant up to 150 kg (HG-V-1100 up to 100 kg)



**FLEXIBLE  
DRILLING  
POINT**

**TOWEL RAIL HG-V**

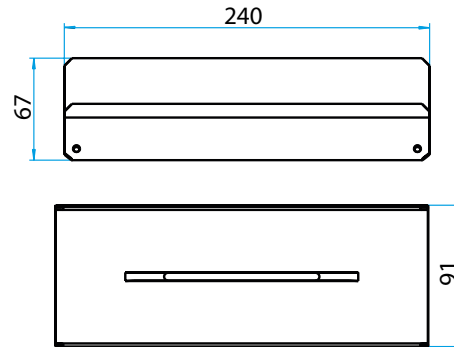
Article name	Outer dimensions (L) in mm	Weight in kg	Art. no.
HG-V-300 CHROME	300	0.80	54 289 85
HG-V-600 CHROME	600	1.10	54 290 85
HG-V-900 CHROME	900	1.40	54 291 85
HG-V-1100 CHROME	1,100	1.60	54 292 85



COMPLEMENTING ACCESSORIES

**SHOWER SHELF  
AS-XLS**

- Made of corrosion-resistant aluminium, high-polish anodised.
- Can be inserted in towel rail HG-V
- With water drainage slot.
- Removable for easy cleaning.



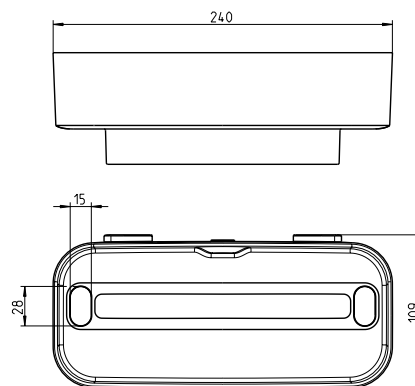
**SHOWER SHELF AS-XLS**

Article name	Length in mm	Weight in kg	Art. no.
AS-XLS	240	0.15	54 249 85

COMPLEMENTING ACCESSORIES

**SHOWER SHELF  
SS**

- Made of high-quality plastic.
- Can be inserted in towel rail HG-V
- Water drainage can also be used to store wet shave razors.
- High rim for safe storage.
- Removable for easy cleaning.



**SHOWER SHELF DA**

Article name	Dimensions in mm	Weight in kg	Art. no.
SS	240 x109	0.19	54 591 85

COMPLEMENTING ACCESSORIES

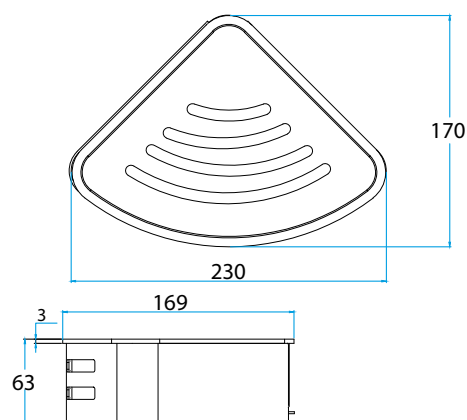
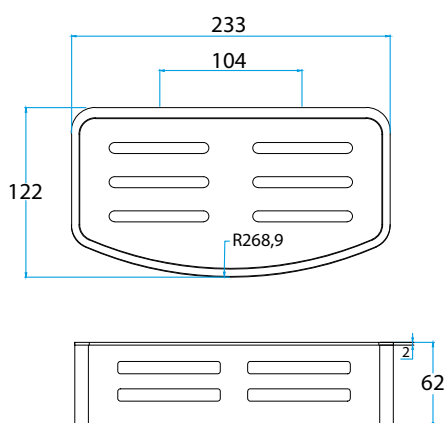
**SHOWER BASKET  
DK-G / DK-E**

- Straight or angled, with water drainage slots.
- Shower basket made of stainless steel, chrome-plated, inlet made of anthracite grey plastic removable for cleaning.
- Including fastening set.



**SHOWER BASKET DK-G / CORNER SHOWER BASKET DK-E**

Article name	Dimensions in mm	Weight in kg	Art. no.
DK-G CHROME	122 x 233	0.56	54 294 85
DK-E CHROME	170 x 230	0.51	54 295 85



COMPLEMENTING ACCESSORIES

**FOOTREST  
HG-V**

- Made of stainless steel, chrome-plated.
- Includes concealed centralised fixing without rosettes, variable.
- Very stable, resistant up to 150 kg

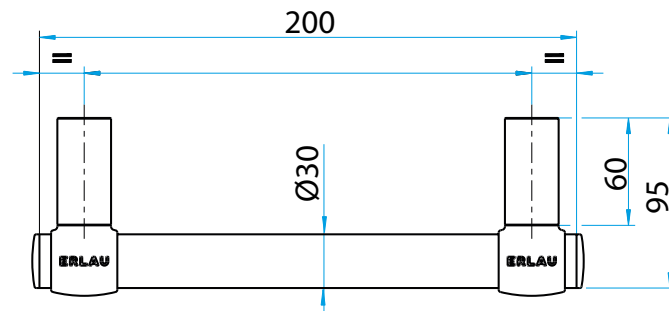
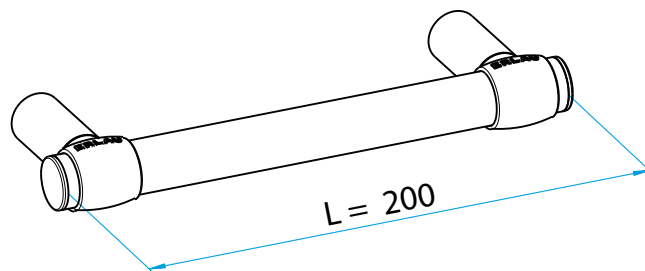


**FLEXIBLE  
DRILLING  
POINT**

CIRCLE CHROME

**FOOTREST HG-V**

Article name	Outer dimensions (L) in mm	Weight in kg	Art. no.
HG-V-200 CHROME	200	0.7	54 288 85





COMPLEMENTING ACCESSORIES

**SHOWER RAIL  
BS-V**

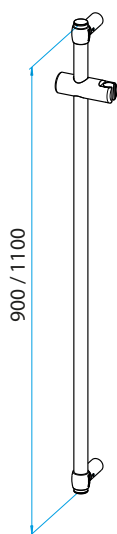
- Made of stainless steel, chrome-plated.
- Shower holder BRH-V made of plastic, chrome-plated, compatible with all conventional hand showers.
- Adjustment knob and conical shower holder, height and inclination steplessly adjustable.
- Includes concealed centralised fixing without rosettes, variable
- Very stable, resistant up to 150 kg (BS-V-1100 up to 150 kg)



**FLEXIBLE  
DRILLING  
POINT**

**SHOWER RAIL BS-V**

Article name	Outer dimensions (L) in mm	Weight in kg	Art. no.
BS-V-900 CHROME	900	1.50	54 313 85
BS-V-1100 CHROME	1,100	1.70	54 314 85





# Black Line







# CIRCLE

With the symbol of unity, perfection and infinity, you perfectly complement the design of your bathroom.





# CIRCLE Black Line



Single hook  
5486136



Double hook  
5486236



Soap dispensers  
5485836



Toilet roll holder  
5486436



Toilet roll holder with cover  
5483636



Spare toilet roll holder  
5486536



Soap dish  
5485936



Glass holder  
5485736



Toilet brush set  
5486736



Towel rail  
5486636



Towel rail  
600 - 5486836  
800 - 5486936

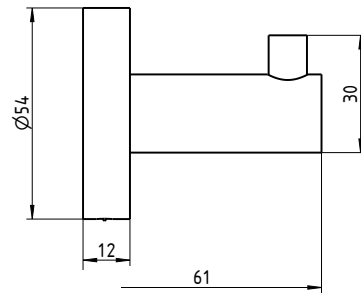
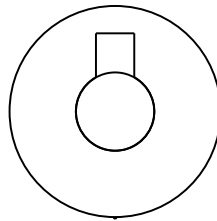


Towel ring  
5486036

CIRCLE

**SINGLE HOOK**

- Made of corrosion-resistant stainless steel, black anodised
- Includes concealed centralised fixing



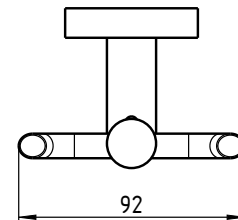
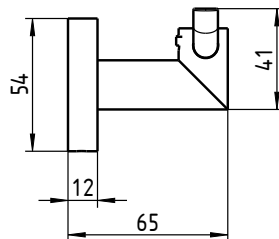
**SINGLE HOOK CIRCLE**

Article name	Reach in mm	Weight in kg	Art. no.
SINGLE HOOK MATT BLACK	61	0.25	54 861 36

CIRCLE

**DOUBLE HOOK**

- Made of corrosion-resistant stainless steel, black anodised
- Includes concealed centralised fixing

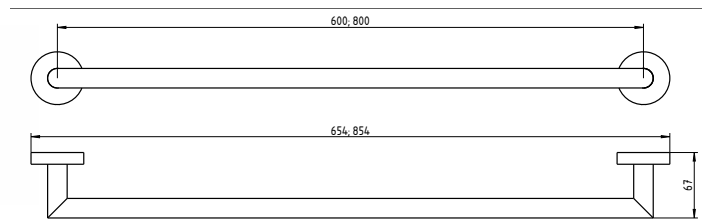


**DOUBLE HOOK CIRCLE**

Article name	Reach in mm	Weight in kg	Art. no.
DOUBLE HOOK MATT BLACK	65	0.25	54 862 36

CIRCLE  
**TOWEL RAIL**

- Made of corrosion-resistant stainless steel, black anodised
- Length from 600mm or 800mm
- One holding rod, rigid
- Includes concealed centralised fixing



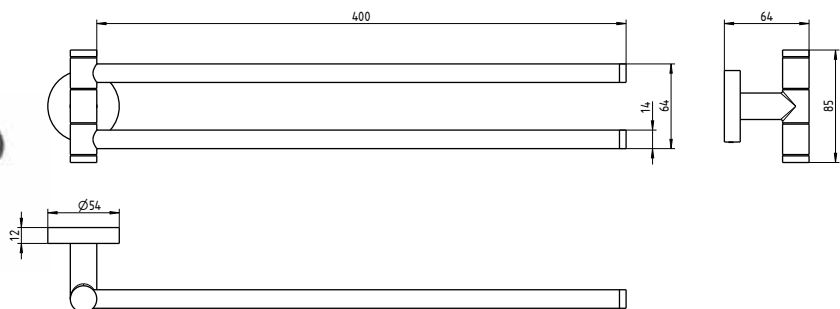
CIRCLE BLACK

**TOWEL RAIL CIRCLE**

Article name	Length (L) in mm	Weight in kg	Art. no.
TOWEL RAIL MATT BLACK	600	0.66	54 868 36
TOWEL RAIL MATT BLACK	800	0.83	54 869 36

CIRCLE  
**TOWEL RAIL,  
PIVOTING**

- Made of corrosion-resistant stainless steel, black anodised
- Two-arm, pivoting
- Includes concealed centralised fixing



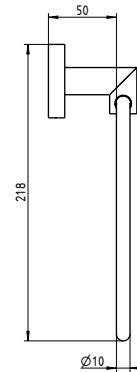
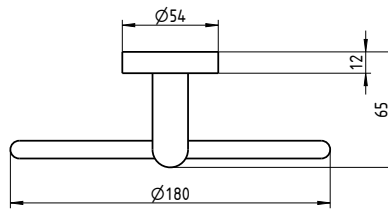
**TOWEL RAIL PIVOTING CIRCLE**

Article name	Reach in mm	Weight in kg	Art. no.
TOWEL RAIL SWB MATT BLACK	400	0.66	54 866 36



CIRCLE  
**TOWEL RING**

- Made of corrosion-resistant stainless steel, black anodised
- Includes concealed centralised fixing

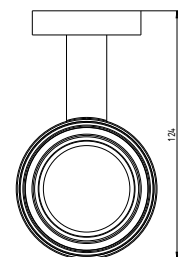
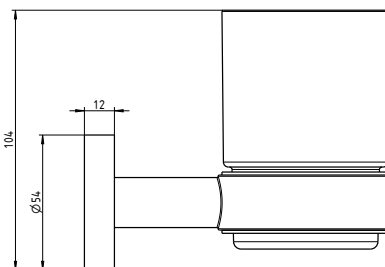
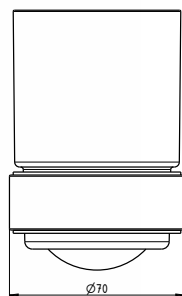


**TOWEL RING CIRCLE**

Article name	Dimensions in mm	Weight in kg	Art. no.
TOWEL RING MATT BLACK	160	0.50	54 860 36

CIRCLE  
**GLASS HOLDER**

- Made of corrosion-resistant stainless steel, matt black coating
- Safety glass with increased break resistance
- Includes concealed centralised fixing



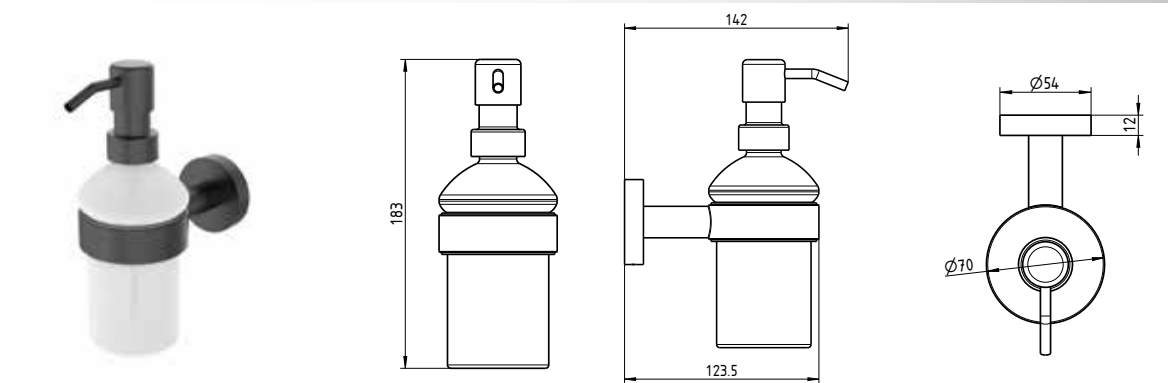
**GLASS HOLDER CIRCLE**

Article name	Reach in mm	Weight in kg	Art. no.
GLASS HOLDER MATT BLACK	124	0.81	54 857 36

CIRCLE

## SOAP DISPENSER

- Made of corrosion-resistant stainless steel, matt black coating
- Safety glass with increased break resistance
- Includes concealed centralised fixing



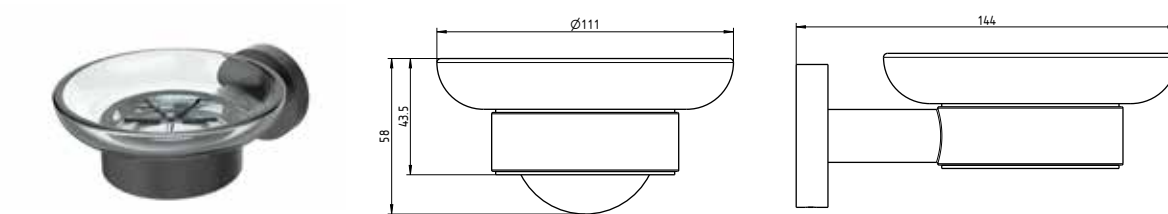
### SOAP DISPENSER CIRCLE

Article name	Reach in mm	Weight in kg	Art. no.
SOAP DISPENSER MATT BLACK	142	0.75	54 858 36

CIRCLE

## SOAP DISH

- Made of corrosion-resistant stainless steel, matt black coating
- Safety glass with increased break resistance
- Includes concealed centralised fixing



### SOAP DISH CIRCLE

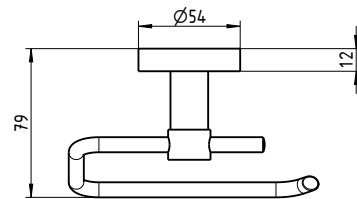
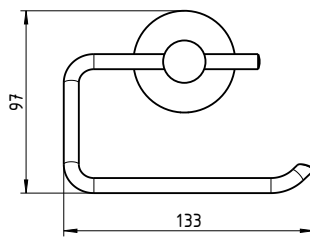
Article name	Reach in mm	Weight in kg	Art. no.
SOAP DISH MATT BLACK	144	0.50	54 859 36

CIRCLE BLACK

CIRCLE

**TOILET ROLL HOLDER**

- Made of corrosion-resistant stainless steel, black anodised
- Without cover
- Includes concealed centralised fixing



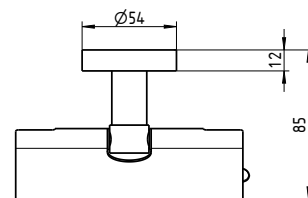
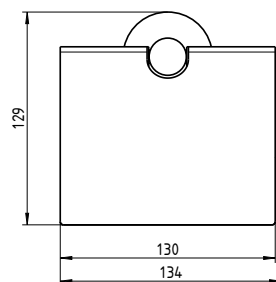
**TOILET ROLL HOLDER CIRCLE**

Article name	Reach in mm	Weight in kg	Art. no.
TOILET ROLL HOLDER MATT BLACK	79	0.40	54 864 36

CIRCLE

**TOILET ROLL HOLDER WITH COVER**

- Made of corrosion-resistant stainless steel, black anodised
- With cover
- Includes concealed centralised fixing



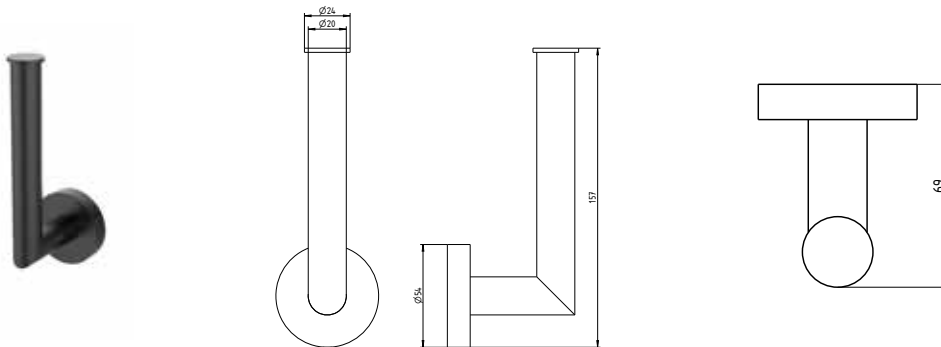
**TOILET ROLL HOLDER WITH COVER CIRCLE**

Article name	Reach in mm	Weight in kg	Art. no.
TOILET ROLL HOLDER MD MATT BLACK	85	0.50	54 863 36

CIRCLE

## SPARE TOILET ROLL HOLDER

- Made of corrosion-resistant stainless steel, black anodised
- Includes concealed centralised fixing



CIRCLE BLACK

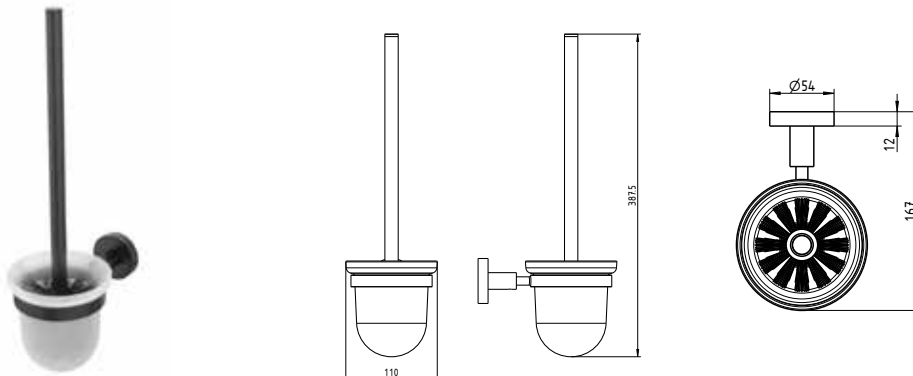
### SPARE TOILET ROLL HOLDER CIRCLE

Article name	Reach in mm	Weight in kg	Art. no.
SPARE TOILET ROLL HOLDER MATT BLACK	69	0.25	54 865 36

CIRCLE

## TOILET BRUSH SET

- Made of corrosion-resistant stainless steel, matt black coating
- Safety glass with increased break resistance
- Brush head in white
- Optional longer brush handle can be retrofitted (p.121)
- Includes concealed centralised fixing



### TOILET BRUSH SET CIRCLE

Article name	Reach in mm	Weight in kg	Art. no.
TOILET BRUSH SET MATT BLACK	167	1.20	54 867 36



COMPLEMENTING ACCESSORIES

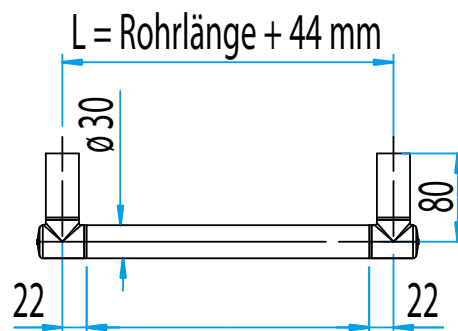
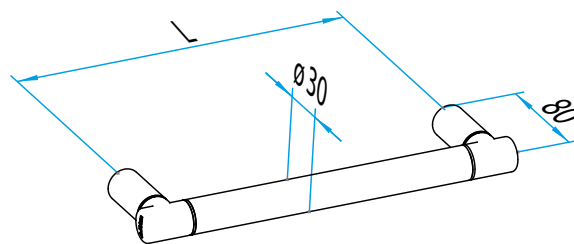
**TOWEL RAIL**  
**HG-R**

- Round grip, made of corrosion-resistant aluminium, polyamide coating in matt black.
- Includes concealed centralised fixing without rosettes.
- Very stable, resistant up to 150 kg



**TOWEL RAIL HG-R - MATT BLACK**

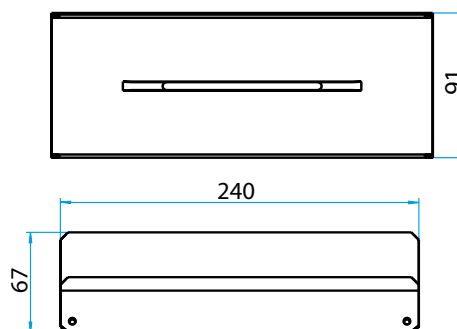
Article name	Drilling dimensions (L) in mm	Outer dimensions in mm	Weight in kg	Art. no.
HG-R-300	300	344	0.82	53 621 36
HG-R-600	600	644	1.14	53 624 36
HG-R-900	900	944	1.46	53 627 36



COMPLEMENTING ACCESSORIES

**SHOWER SHELF  
AS-XLS**

- Made of corrosion-resistant aluminium, polyamide-coating in matt black.
- Can be inserted in towel rail HG-R.
- With water drainage slot.
- Removable for easy cleaning.



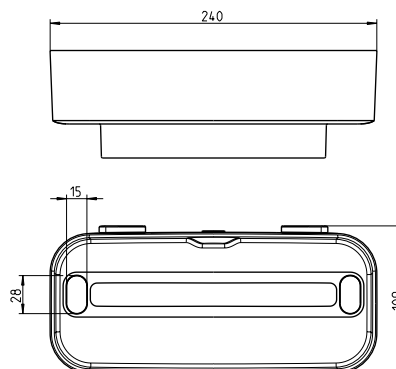
**SHOWER SHELF AS-XLS**

Article name	Length in mm	Weight in kg	Art. no.
AS-XLS	240	0.15	54 249 36

COMPLEMENTING ACCESSORIES

**SHOWER SHELF  
SS**

- Made of high-quality plastic.
- Can be inserted in towel rail HG-R.
- Water drainage can also be used to store wet shave razors.
- High rim for safe storage.
- Removable for easy cleaning.



**SHOWER SHELF DA**

Article name	Dimensions in mm	Weight in kg	Art. no.
SS	240 x 109	0.19	54 591 36

CIRCLE BLACK

COMPLEMENTING ACCESSORIES

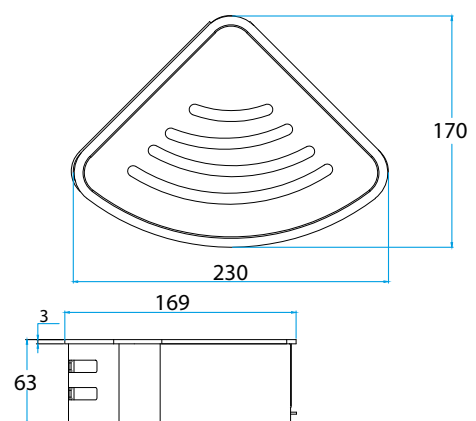
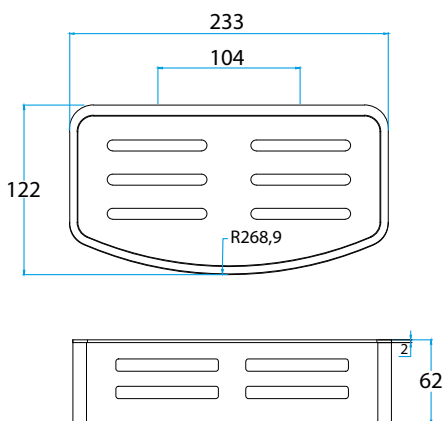
**SHOWER BASKET  
DK-G / DK-E**

- Straight or angled, with water drainage slots.
- Shower basket made of stainless steel, matt black, inlet made of white plastic, removable for cleaning.
- Including fastening set.



**SHOWER BASKET DK-G / CORNER SHOWER BASKET DK-E**

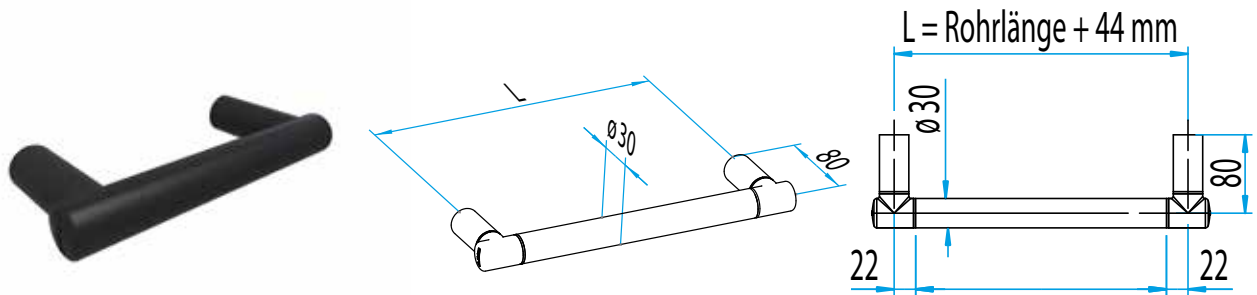
Article name	Dimensions in mm	Weight in kg	Art. no.
DK-G BLACK	122 x 233	0.56	54 294 36
DK-E BLACK	170 x 230	0.51	54 295 36



COMPLEMENTING ACCESSORIES

**FOOTREST**  
**HG-R**

- Round grip, made of corrosion-resistant aluminium, polyamide coating in matt black.
- Includes concealed centralised fixing without rosettes.
- Very stable, resistant up to 150 kg



CIRCLE BLACK

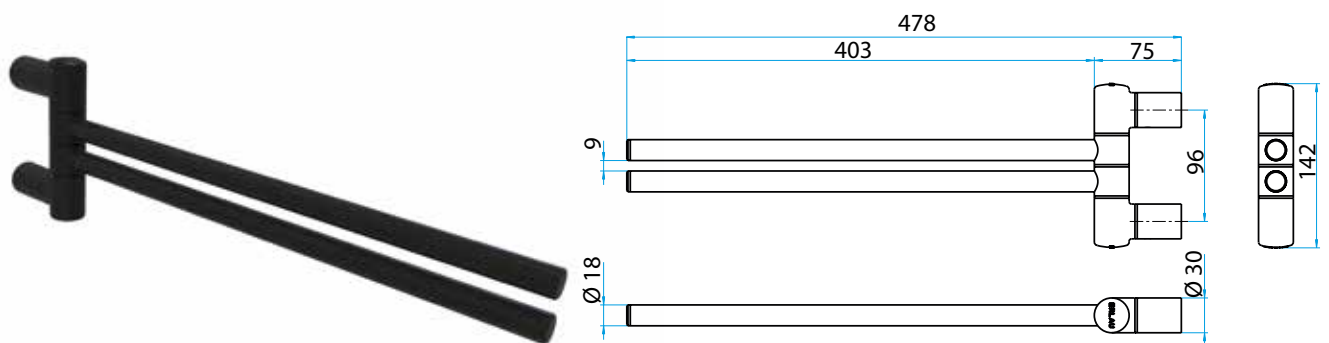
**FOOTREST HG-R - MATT BLACK**

Article name	Drilling dimensions (L) in mm	Outer dimensions in mm	Weight in kg	Art. no.
HG-R-169	169	213	0.78	54 041 36

COMPLEMENTING ACCESSORIES

**TOWEL RAIL**  
**HHS**

- Projection 478 mm, 2-arm, pivoting, made of corrosion-resistant aluminium, polyamide-coating in matt black.
- Includes concealed centralised fixing without rosettes.



**TOWEL RAIL HHS**

Article name	Reach in mm	Weight in kg	Art. no.
HHS	478	0.85	54 092 36



COMPLEMENTING ACCESSORIES

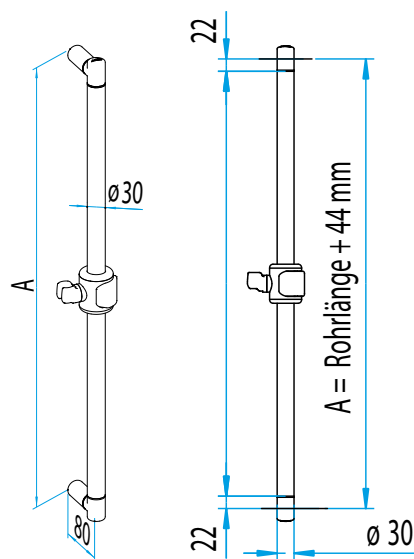
**SHOWER RAIL**  
**BS-R**

- Round grip made of corrosion-resistant aluminium polyamide-coated or high-gloss anodised.
- Shower holder with conical shower fixture, continuously adjustable in height and inclination steplessly adjustable.
- Includes concealed centralised fixing without rosettes.
- Very stable, resistant up to 150 kg (BS-R-1200 up to 100 kg).



**SHOWER RAIL BS-R - MATT BLACK**

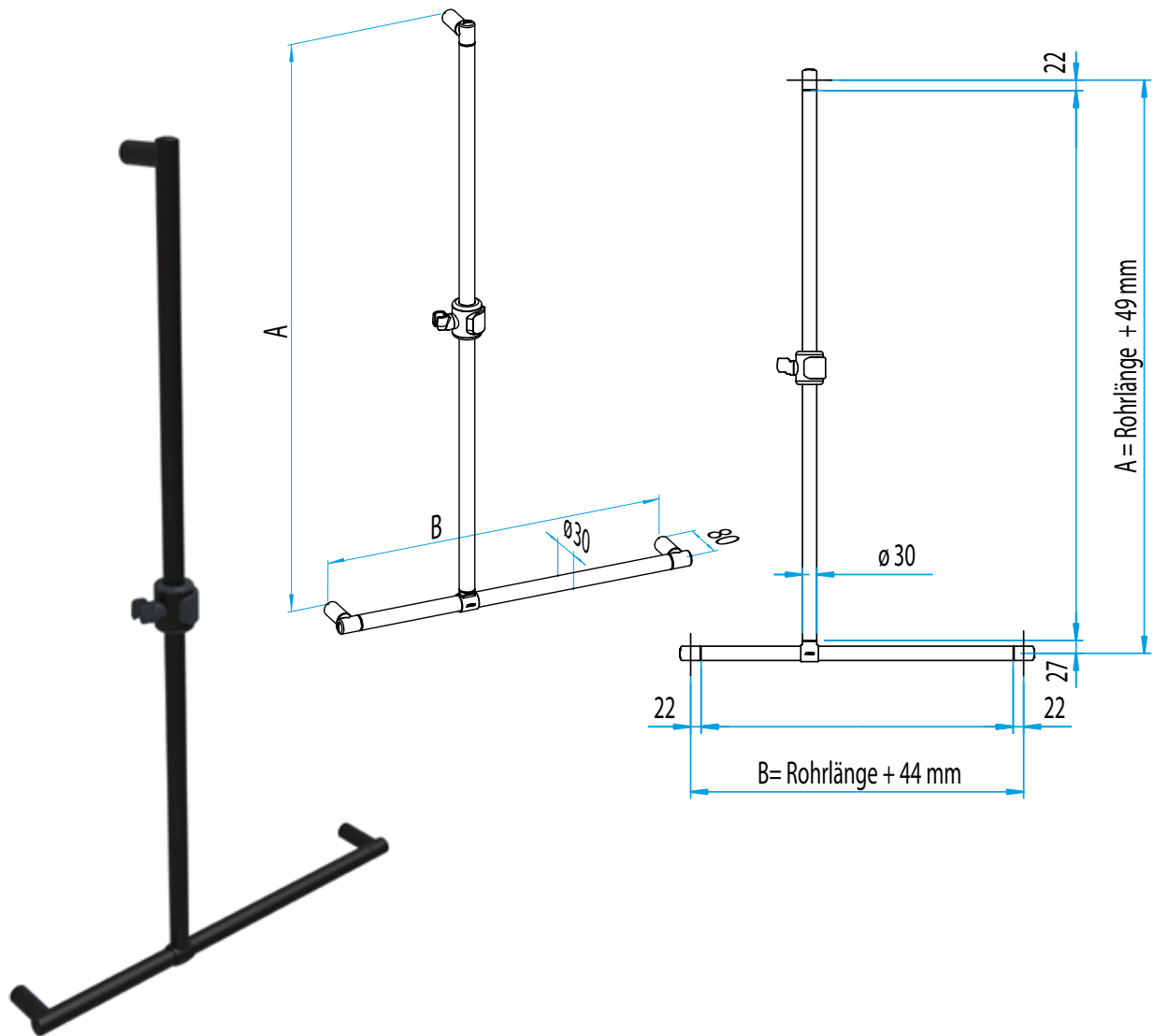
Article name	Drilling dimensions (A) in mm	Outer dimensions in mm	Weight in kg	Art. no.
BS-R-800	800	844	1.33	53 641 36
BS-R-1000	1,000	1,044	1.54	53 642 36
BS-R-1200	1,200	1,244	1.75	53 643 36



COMPLEMENTING ACCESSORIES

**SHOWER RAIL  
DB-R**

- Round grip made of corrosion-resistant aluminium matt polyamide-coating in black.
- Shower rail can be individually positioned via a T-link element.
- Shower holder with conical shower fixture, continuously adjustable in height and inclination.
- Very stable, resistant up to 150 kg horizontally, 100 kg vertically



CIRCLE BLACK

**SHOWER RAIL DB-R - MATT BLACK**

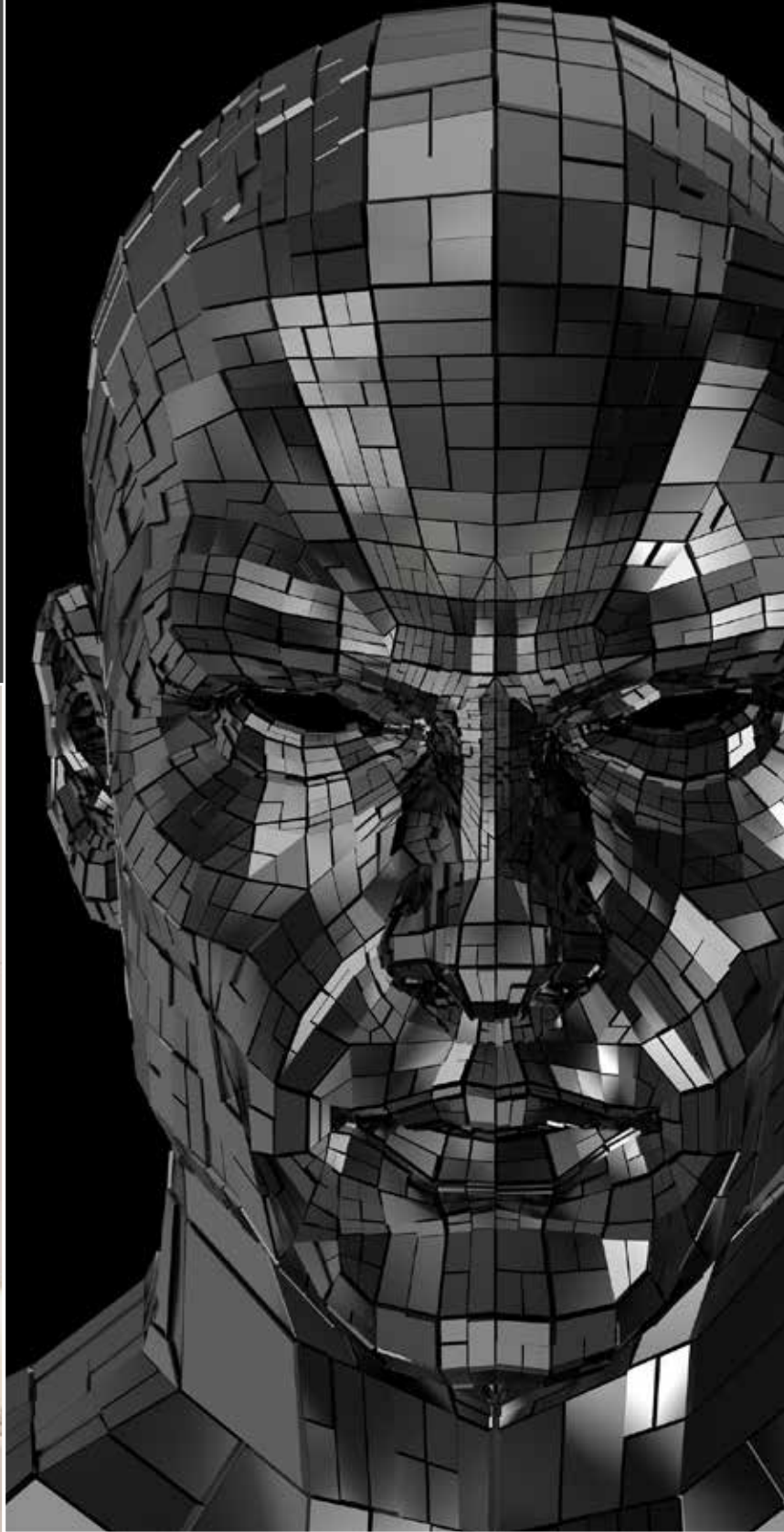
Article name	Drilling dimensions (AxB) in mm	Outer dimensions in mm	Weight in kg	Art. no.
DB-R-1205x500	1,205 x 500	1,254 x 544	2.58	53 636 36
DB-R-1205x700	1,205 x 700	1,254 x 744	2.80	53 637 36

# Chrome line





DECORLUX PROJECT INTERIOR



**C**UBE

Turn your bathroom into a stylish experience with corners and edges. The symbol of strength, stability and immutability.





# CUBE Chrome line



Single hook  
5487485



Double hook  
5487585



Soap dispensers  
5487185



Toilet roll holder  
5487785



Toilet roll holder with cover  
5487685



Spare toilet roll holder  
5487885



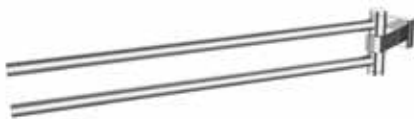
Soap dish  
5487285



Glass holder  
5487085



Toilet brush set  
5488085



Towel rail  
5487985



Towel rail  
600 - 5488185  
800 - 5488285

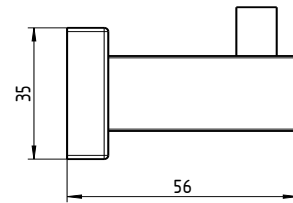
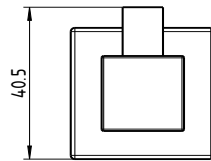


Towel ring  
5487385

CUBE

**SINGLE HOOK**

- Made of corrosion-resistant stainless steel, chrome-plated
- Includes concealed centralised fixing



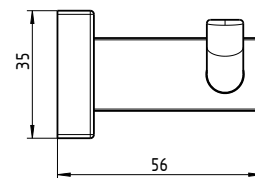
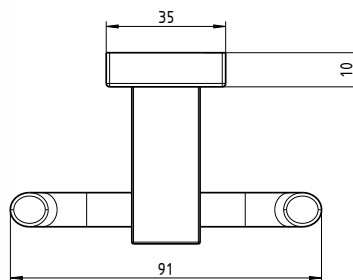
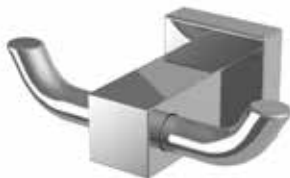
**SINGLE HOOK CUBE**

Article name	Reach in mm	Weight in kg	Art. no.
SINGLE HOOK CHROME	56	0.18	54 874 85

CUBE

**DOUBLE HOOK**

- Made of corrosion-resistant stainless steel, chrome-plated
- Includes concealed centralised fixing



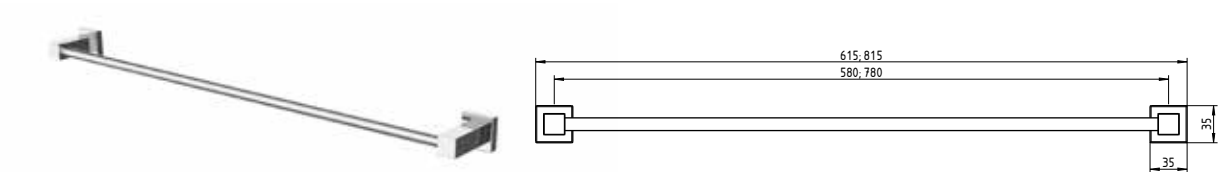
**DOUBLE HOOK CUBE**

Article name	Reach in mm	Weight in kg	Art. no.
DOUBLE HOOK CHROME	56	0.35	54 875 85

CUBE

**TOWEL RAIL**

- Made of corrosion-resistant stainless steel, chrome-plated
- Length from 600mm or 800mm
- One holding rod, rigid
- Includes concealed centralised fixing



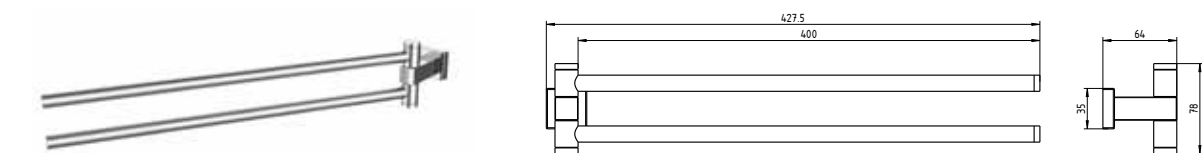
<b>TOWEL RAIL CUBE</b>				
Article name	Length (L) in mm	Weight in kg	Art. no.	
TOWEL RAIL CHROME	600	0.66	54 881 85	
TOWEL RAIL CHROME	800	0.83	54 882 85	

CUBE CHROME

CUBE

**TOWEL RAIL,  
PIVOTING**

- Made of corrosion-resistant stainless steel, chrome-plated
- Two-arm, pivoting
- Includes concealed centralised fixing

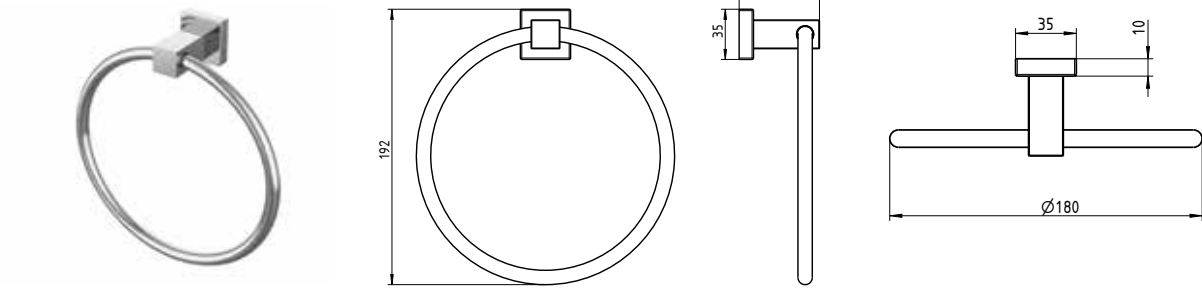


<b>TOWEL RAIL PIVOTING CUBE</b>				
Article name	Reach in mm	Weight in kg	Art. no.	
TOWEL RAIL SWB CHROME	400	0.66	54 879 85	

CUBE

**TOWEL RING**

- Made of corrosion-resistant stainless steel, chrome-plated
- Includes concealed centralised fixing



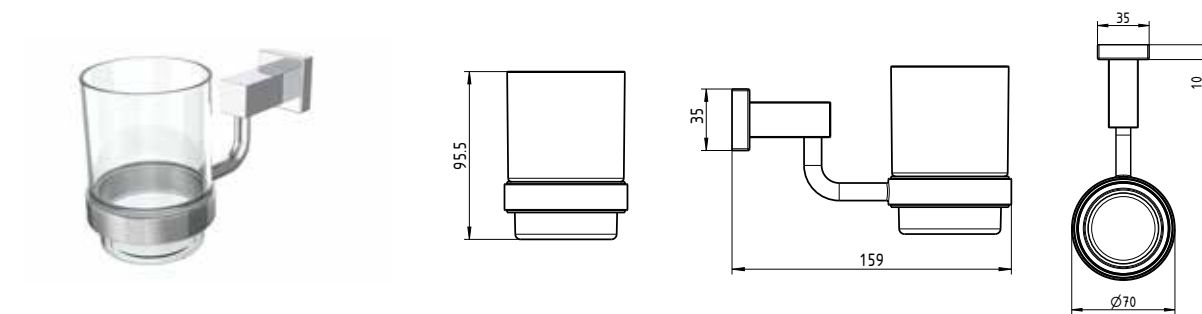
**TOWEL RING CUBE**

Article name	Dimensions in mm	Weight in kg	Art. no.
TOWEL RING CHROME	160	0.35	54 873 85

CUBE

**GLASS HOLDER**

- Made of corrosion-resistant stainless steel, chrome-plated
- Safety glass with increased break resistance
- Includes concealed centralised fixing



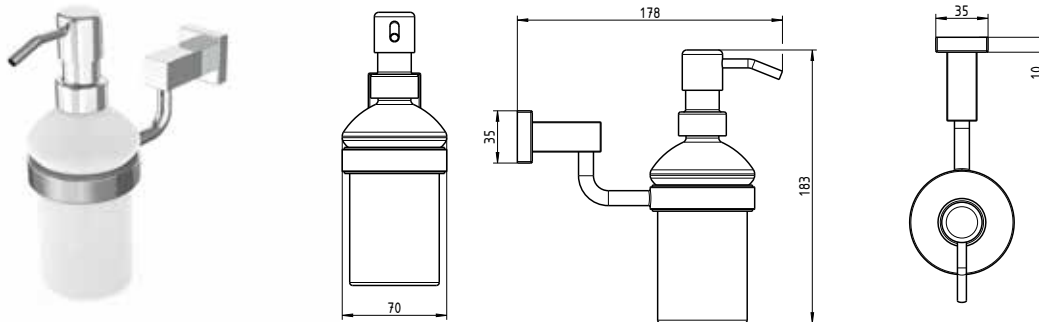
**GLASS HOLDER CUBE**

Article name	Reach in mm	Weight in kg	Art. no.
GLASS HOLDER CHROME	159	0.65	54 870 85

CUBE

**SOAP DISPENSER**

- Made of corrosion-resistant stainless steel, chrome-plated
- Safety glass with increased break resistance
- Includes concealed centralised fixing



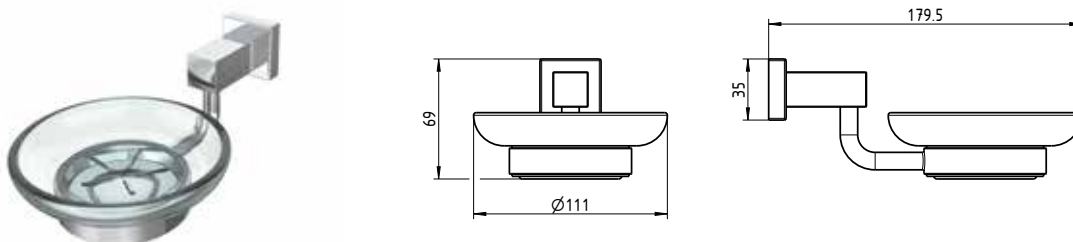
**SOAP DISPENSER CUBE**

Article name	Reach in mm	Weight in kg	Art. no.
SOAP DISPENSER CHROME	178	0.75	54 871 85

CUBE

**SOAP DISH**

- Made of corrosion-resistant stainless steel, chrome-plated
- Safety glass with increased break resistance
- Includes concealed centralised fixing



**SOAP DISH CUBE**

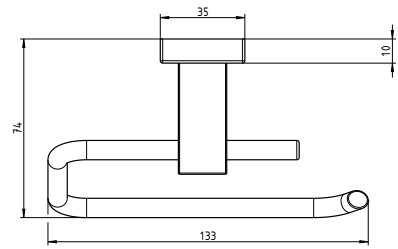
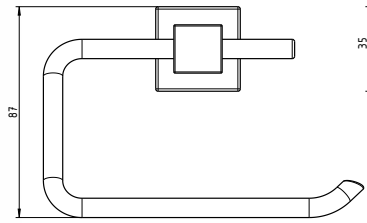
Article name	Reach in mm	Weight in kg	Art. no.
SOAP DISH CHROME	179.5	0.65	54 872 85



CUBE

**TOILET ROLL HOLDER**

- Made of corrosion-resistant stainless steel, chrome-plated
- Without cover
- Includes concealed centralised fixing



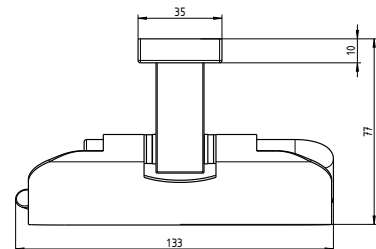
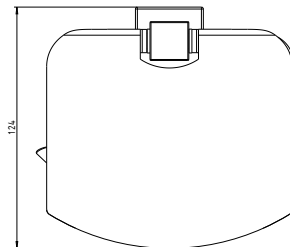
**TOILET ROLL HOLDER CUBE**

Article name	Reach in mm	Weight in kg	Art. no.
TOILET ROLL HOLDER CHROME	74	0.40	54 877 85

CUBE

**TOILET ROLL HOLDER WITH COVER**

- Made of corrosion-resistant stainless steel, chrome-plated
- With cover
- Includes concealed centralised fixing



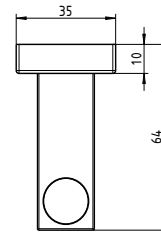
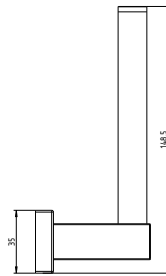
**TOILET ROLL HOLDER WITH COVER CUBE**

Article name	Reach in mm	Weight in kg	Art. no.
TOILET ROLL HOLDER M.D. CHROME	77	0.50	54 876 85

CUBE

## SPARE TOILET ROLL HOLDER

- Made of corrosion-resistant stainless steel, chrome-plated
- Includes concealed centralised fixing



### SPARE TOILET ROLL HOLDER CUBE

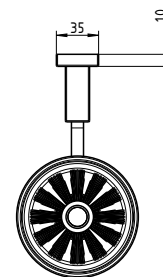
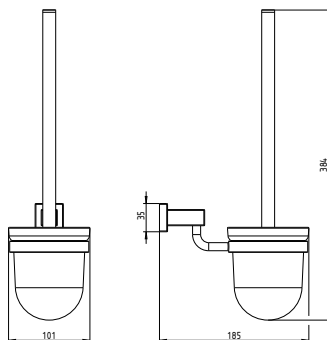
Article name	Reach in mm	Weight in kg	Art. no.
SPARE TOILET ROLL HOLDER CHROME	64	0.25	54 878 85

CUBE CHROME

CUBE

## TOILET BRUSH SET

- Made of corrosion-resistant stainless steel, chrome-plated
- Safety glass with increased break resistance
- Brush head in white
- Optional longer brush handle can be retrofitted (p.121)
- Includes concealed centralised fixing



### TOILET BRUSH SET CUBE

Article name	Reach in mm	Weight in kg	Art. no.
TOILET BRUSH SET CHROME	185	1.20	54 880 85

COMPLEMENTING ACCESSORIES

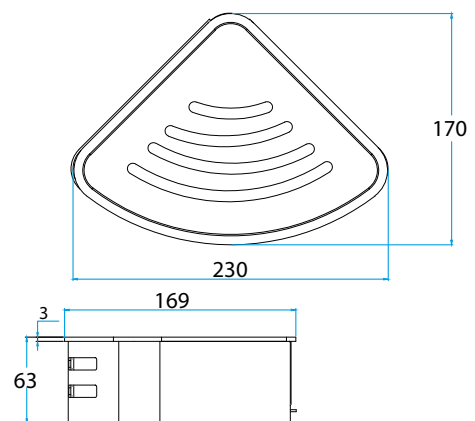
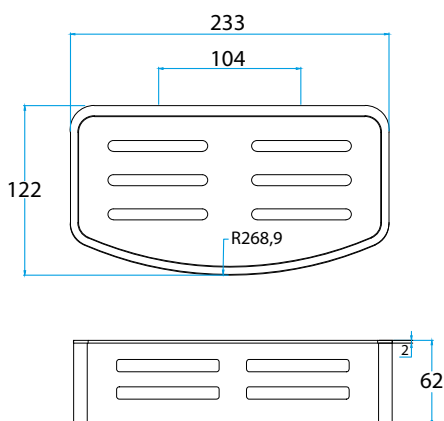
**SHOWER BASKET  
DK-G / DK-E**

- Straight or angled, with water drainage slots.
- Shower basket made of stainless steel, chrome-plated, inlet made of anthracite grey plastic removable for cleaning.
- Including fastening set.



**SHOWER BASKET DK-G / CORNER SHOWER BASKET DK-E**

Article name	Dimensions in mm	Weight in kg	Art. no.
DK-G CHROME	122 x 233	0.56	54 294 85
DK-E CHROME	170 x 230	0.51	54 295 85







# Black Line







DECORLUX | PROJECT INTERIOR



# CUBE

Turn your bathroom into a stylish experience with corners and edges. The symbol of strength, stability and immutability.





# CUBE Black Line



Single hook  
5487436



Double hook  
5487536



Soap dispensers  
5487136



Toilet roll holder  
5487736



Toilet roll holder with cover  
5487636



Spare toilet roll holder  
5487836



Soap dish  
5487236



Glass holder  
5487036



Toilet brush set  
5488036



Towel rail  
5487936



Towel rail  
600 - 5488136  
800 - 5488236

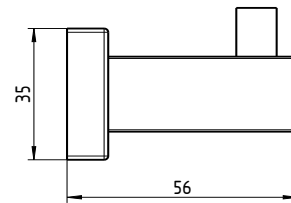
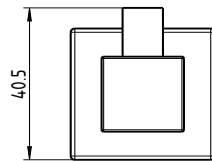


Towel ring  
5487336

CUBE

**SINGLE HOOK**

- Made of corrosion-resistant stainless steel, black anodised
- Includes concealed centralised fixing



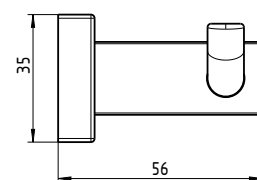
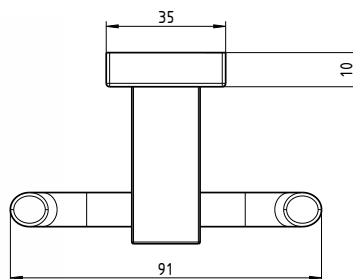
**SINGLE HOOK CUBE**

Article name	Reach in mm	Weight in kg	Art. no.
SINGLE HOOK MATT BLACK	56	0.18	54 874 36

CUBE

**DOUBLE HOOK**

- Made of corrosion-resistant stainless steel, black anodised
- Includes concealed centralised fixing



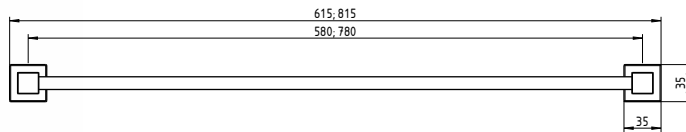
**DOUBLE HOOK CUBE**

Article name	Reach in mm	Weight in kg	Art. no.
DOUBLE HOOK MATT BLACK	56	0.35	54 875 36

CUBE

**TOWEL RAIL**

- Made of corrosion-resistant stainless steel, black anodised
- Length from 600mm or 800mm
- One holding rod, rigid
- Includes concealed centralised fixing



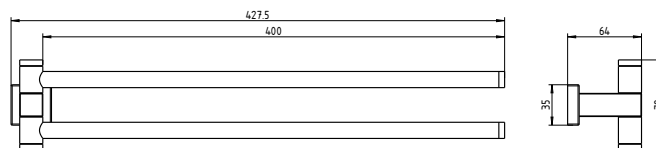
**TOWEL RAIL CUBE**

Article name	Length (L) in mm	Weight in kg	Art. no.
TOWEL RAIL MATT BLACK	600	0.66	54 881 36
TOWEL RAIL MATT BLACK	800	0.83	54 882 36

CUBE

**TOWEL RAIL,  
PIVOTING**

- Made of corrosion-resistant stainless steel, black anodised
- Two-arm, pivoting
- Includes concealed centralised fixing



**TOWEL RAIL PIVOTING CUBE**

Article name	Reach in mm	Weight in kg	Art. no.
TOWEL RAIL SWB MATT BLACK	400	0.66	54 879 36

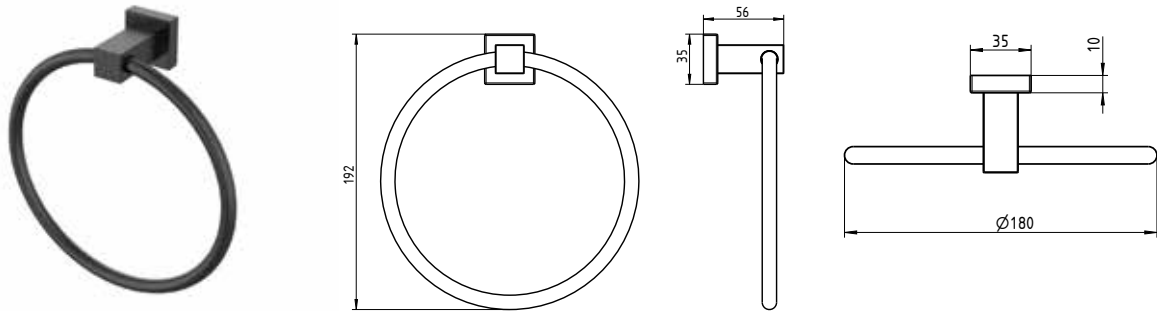
CUBE BLACK



CUBE

**TOWEL RING**

- Made of corrosion-resistant stainless steel, black anodised
- Includes concealed centralised fixing



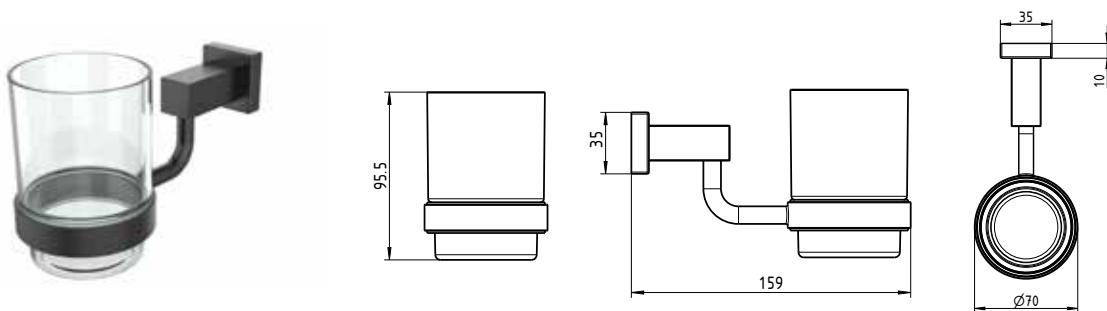
**TOWEL RING CUBE**

Article name	Dimensions in mm	Weight in kg	Art. no.
TOWEL RING MATT BLACK	160	0.35	54 873 36

CUBE

**GLASS HOLDER**

- Made of corrosion-resistant stainless steel, matt black coating
- Safety glass with increased break resistance
- Includes concealed centralised fixing



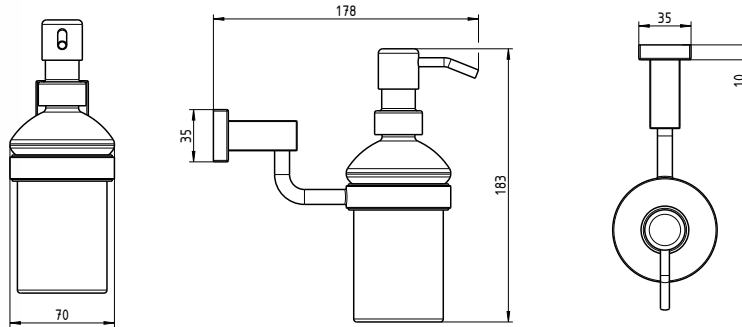
**GLASS HOLDER CUBE**

Article name	Reach in mm	Weight in kg	Art. no.
GLASS HOLDER MATT BLACK	159	0.65	54 870 36

CUBE

**SOAP DISPENSER**

- Made of corrosion-resistant stainless steel, matt black coating
- Safety glass with increased break resistance
- Includes concealed centralised fixing



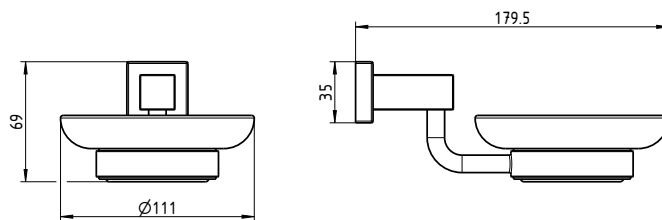
**SOAP DISPENSER CUBE**

Article name	Reach in mm	Weight in kg	Art. no.
SOAP DISPENSER MATT BLACK	178	0.75	54 871 36

CUBE

**SOAP DISH**

- Made of corrosion-resistant stainless steel, matt black coating
- Safety glass with increased break resistance
- Includes concealed centralised fixing



**SOAP DISH CUBE**

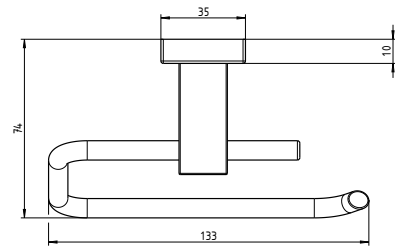
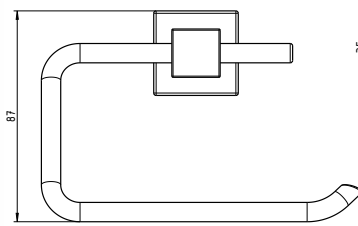
Article name	Reach in mm	Weight in kg	Art. no.
SOAP DISH MATT BLACK	179.5	0.65	54 872 36

CUBE BLACK

CUBE

**TOILET ROLL HOLDER**

- Made of corrosion-resistant stainless steel, black anodised
- Without cover
- Includes concealed centralised fixing



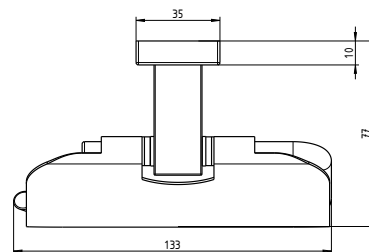
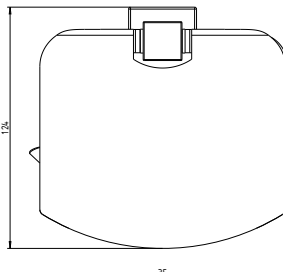
**TOILET ROLL HOLDER CUBE**

Article name	Reach in mm	Weight in kg	Art. no.
TOILET ROLL HOLDER MATT BLACK	74	0.40	54 877 36

CUBE

**TOILET ROLL HOLDER WITH COVER**

- Made of corrosion-resistant stainless steel, black anodised
- With cover
- Includes concealed centralised fixing



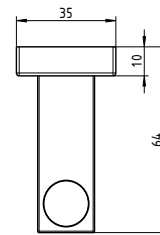
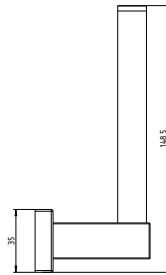
**TOILET ROLL HOLDER WITH COVER CUBE**

Article name	Reach in mm	Weight in kg	Art. no.
TOILET ROLL HOLDER MD MATT BLACK	77	0.50	54 876 36

CUBE

## SPARE TOILET ROLL HOLDER

- Made of corrosion-resistant stainless steel, black anodised
- Includes concealed centralised fixing



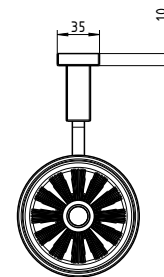
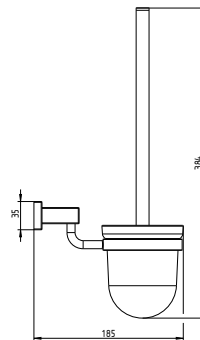
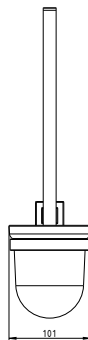
### SPARE TOILET ROLL HOLDER CUBE

Article name	Reach in mm	Weight in kg	Art. no.
SPARE TOILET ROLL HOLDER MATT BLACK	64	0.25	54 878 36

CUBE

## TOILET BRUSH SET

- Made of corrosion-resistant stainless steel, matt black coating
- Safety glass with increased break resistance
- Brush head in white
- Optional longer brush handle can be retrofitted (p.121)
- Includes concealed centralised fixing



### TOILET BRUSH SET CUBE

Article name	Reach in mm	Weight in kg	Art. no.
TOILET BRUSH SET MATT BLACK	185	1.20	54 880 36

COMPLEMENTING ACCESSORIES

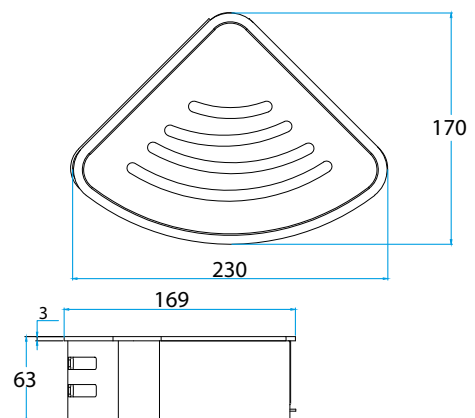
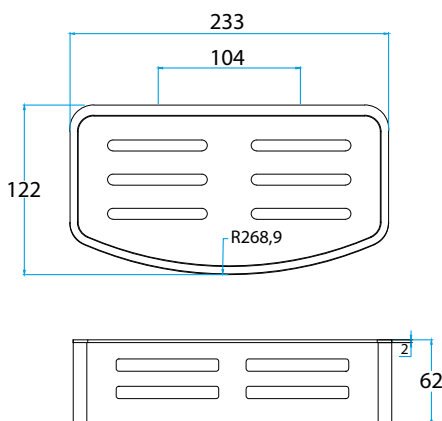
**SHOWER BASKET  
DK-G / DK-E**

- Straight or angled, with water drainage slots.
- Shower basket made of stainless steel, matt black, inlet made of white plastic, removable for cleaning.
- Including fastening set.



**SHOWER BASKET DK-G / CORNER SHOWER BASKET DK-E**

Article name	Dimensions in mm	Weight in kg	Art. no.
DK-G BLACK	122 x 233	0.56	54 294 36
DK-E BLACK	170 x 230	0.51	54 295 36







The timeless classic.





DECORLUX | PROJECT INTERIOR



**C**LERELLA

The Clerella range of accessories makes your bathroom shine. Our range is compatible with all handle system in high-gloss polished anodised material.





# C LERELLA



Single hook  
8316485



Double hook  
8316585



Glass shelf  
8317185



Toilet roll holder  
8317385



Toilet roll holder with cover  
8317285



Spare toilet roll holder  
8317685



Soap dish  
8316885



Glass holder single  
8316685



Glass holder double  
8316785



Soap dispensers  
8317585



Towel rail HTH  
8326885



Bath towel rail  
8317085



Toilet brush set  
8317485

**... AND OTHER COMPLEMENTARY ACCESSORIES.**



CLERELLA

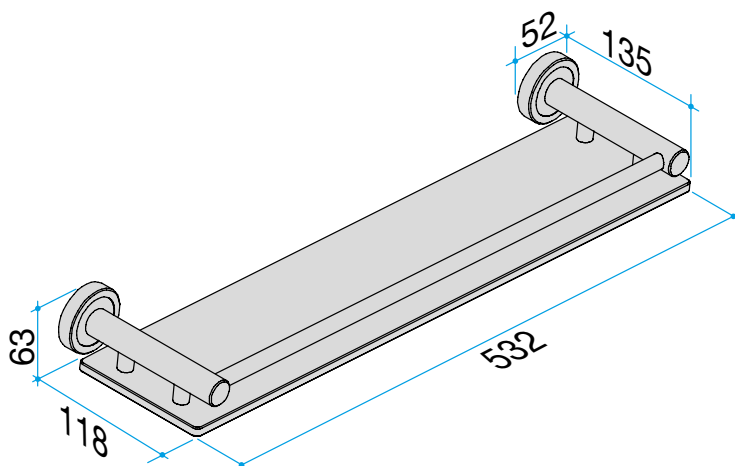
**GLASS SHELF  
GA**

- Made of corrosion-resistant aluminium, high-gloss polished anodised, with anthracite-grey coloured metal ring.
- Shelf made of safety glass with increased break resistance.
- Includes concealed centralised fixing.



**GLASS SHELF GA**

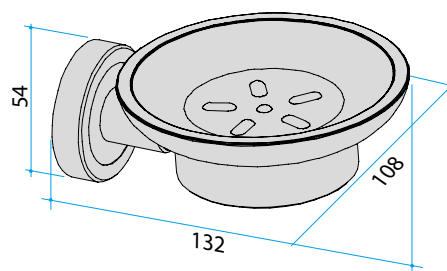
Article name	Dimensions in mm	Weight in kg	Art. no.
GA	532 x 135	1.45	83 171 85



CLERELLA

**SOAP DISH  
SA**

- Made of corrosion-resistant aluminium, high-gloss polished anodised, with anthracite-grey coloured metal ring.
- Soap dish made of safety glass with increased break resistance.
- Includes concealed centralised fixing.

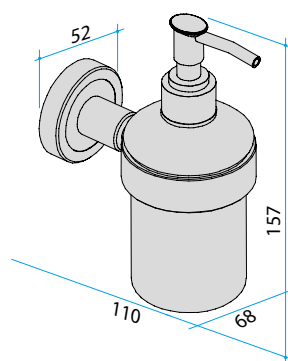
**SOAP DISH SA**

Article name	Dimensions in mm	Weight in kg	Art. no.
SA	132 x 108	0.31	83 168 85

CLERELLA

**SOAP DISPENSER  
SSP**

- Made of corrosion-resistant aluminium, high-gloss polished anodised, with anthracite-grey coloured metal ring.
- Soap container made of safety glass with increased break resistance.
- Includes concealed centralised fixing.

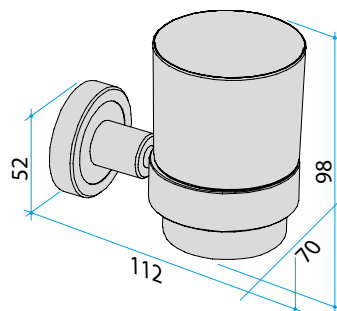
**SOAP DISPENSER SSP**

Article name	Dimensions in mm	Weight in kg	Art. no.
SSP	110 x 68 x 157	0.36	83 175 85

CLERELLA

**GLASS HOLDER  
GHE**

- Made of corrosion-resistant aluminium, high-gloss polished anodised, with anthracite-grey coloured metal ring.
- Glass made of safety glass with increased break resistance.
- Includes concealed centralised fixing.



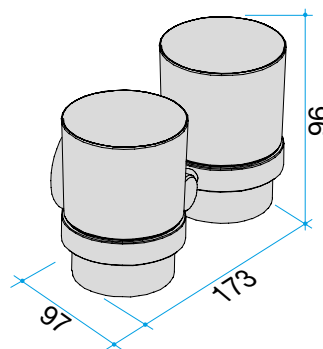
**GLASS HOLDER GHE**

Article name	Dimensions in mm	Weight in kg	Art. no.
GHE	112 x 70 x 98	0.33	83 166 85

CLERELLA

**GLASS HOLDER  
GHD**

- Made of corrosion-resistant aluminium, high-gloss polished anodised, with anthracite-grey coloured metal ring.
- Two glasses made of safety glass with increased break resistance.
- Includes concealed centralised fixing.



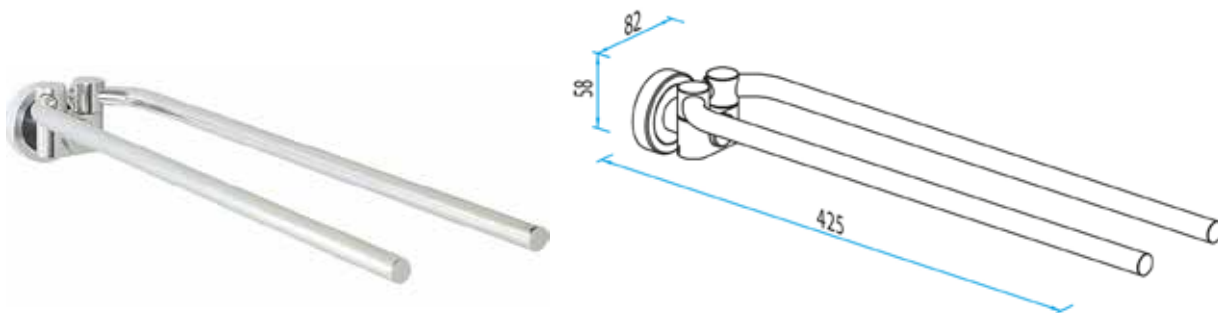
**GLASS HOLDER GHD**

Article name	Dimensions in mm	Weight in kg	Art. no.
GHD	173 x 97 x 96	0.54	83 167 85

CLERELLA

**TOWEL RAIL  
HTH**

- Made of corrosion-resistant aluminium, high-gloss polished anodised, with anthracite-grey coloured metal ring.
- Two-arm, pivoting.
- Includes concealed centralised fixing.



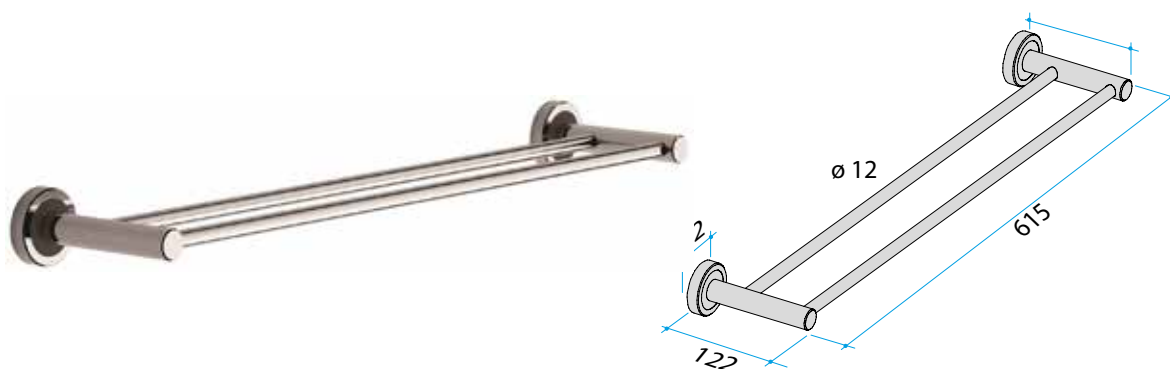
**TOWEL RAIL HTH**

Article name	Reach in mm	Weight in kg	Art. no.
HTH	425	0.45	83 268 85

CLERELLA

**BATH TOWEL RAIL  
BTH**

- Made of corrosion-resistant aluminium, high-gloss polished anodised, with anthracite-grey coloured metal ring.
- Two grab bars, rigid.
- Includes concealed centralised fixing.



**BATH TOWEL RAIL BTH**

Article name	Dimensions in mm	Weight in kg	Art. no.
BTH	615 x 122	0.41	83 170 85

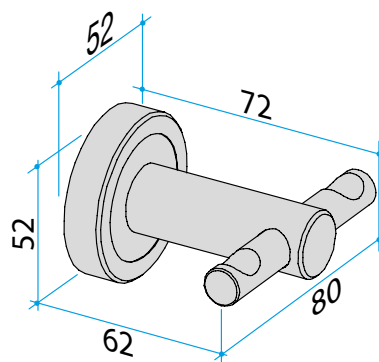
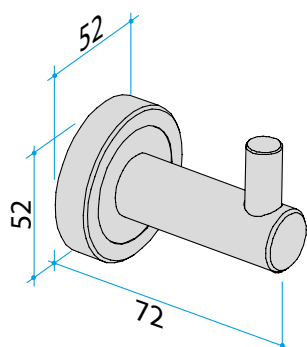
CLERELLA  
**HOOKS**  
 HA / DHA

- Made of corrosion-resistant aluminium, high-gloss polished anodised, with anthracite-grey coloured metal ring.
- Includes concealed centralised fixing



**HOOK HA / DOUBLE HOOK DHA**

Article name	Dimensions in mm	Weight in kg	Art. no.
HA	72 x 52 x 52	0.11	83 164 85
DHA	72 x 80 x 52	0.13	83 165 85





CLERELLA

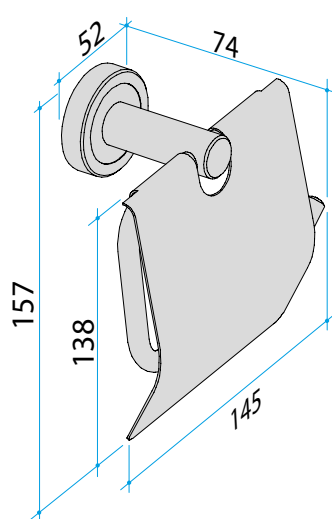
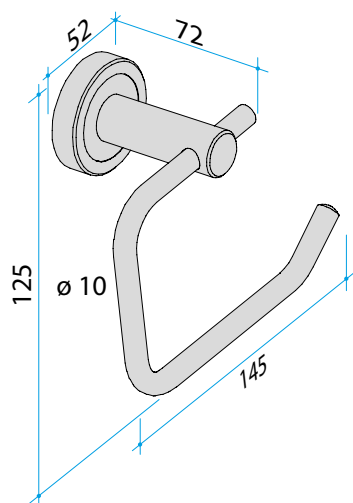
**TOILET ROLL HOLDER  
PA / PAD**

- Made of corrosion-resistant aluminium, high-gloss polished anodised with anthracite-grey coloured metal ring.
- Includes concealed centralised fixing.
- With or without cover.



**TOILET ROLL HOLDER PA / TOILET ROLL HOLDER WITH LID PAD**

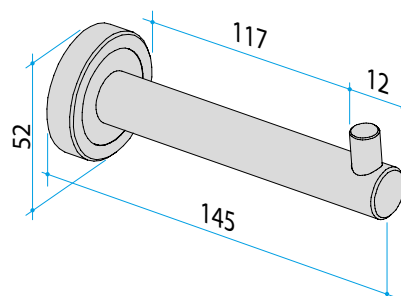
Article name	Dimensions in mm	Weight in kg	Art. no.
PA	72 x 145 x 125	0.17	83 173 85
PAD	74 x 145 x 157	0.21	83 172 85



CLERELLA

**SPARE TOILET ROLL HOLDER  
EPH**

- Made of corrosion-resistant aluminium, high-gloss polished anodised, with anthracite-grey coloured metal ring.
- Includes concealed centralised fixing.



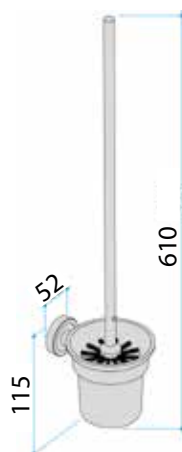
**SPARE TOILET ROLL HOLDER EPH**

Article name	Dimensions in mm	Weight in kg	Art. no.
EPH	145 x 52	1.18	83 176 85

CLERELLA

**TOILET BRUSH SET  
BG**

- For wall fixing, holder made from corrosion-resistant aluminium, high-polish anodised, with anthracite grey metal colour ring.
- Brush container made of safety glass with increased break resistance.
- Long brush handle with black brush head.
- Includes concealed centralised fixing.



**TOILET BRUSH SET BG**

Article name	Dimensions in mm	Weight in kg	Art. no.
BG	610	0.69	83 174 85

COMPLEMENTING ACCESSORIES

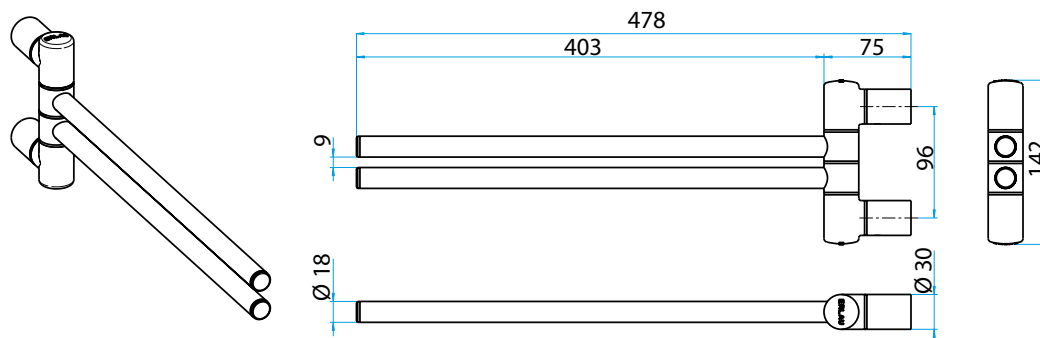
**TOWEL RAIL  
HHS**

- Projection 478 mm, 2-arm, pivoting, made of corrosion-resistant aluminium, high-polish anodised.
- Includes concealed centralised fixing without rosettes.



**TOWEL RAIL HHS**

Article name	Reach in mm	Weight in kg	Art. no.
HHS	478	0.85	54 092 85



COMPLEMENTING ACCESSORIES

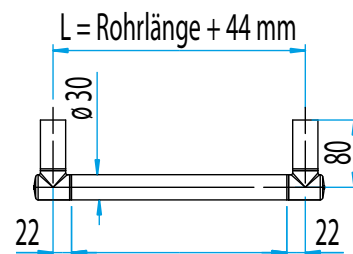
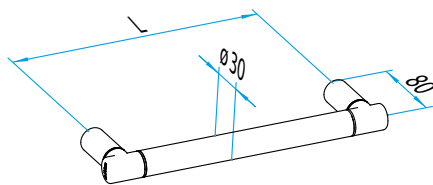
## TOWEL RAIL HG-R

- Round grip, made of corrosion-resistant aluminium, high-polish anodised materials.
- Includes concealed centralised fixing without rosettes.
- Very stable, resistant up to 150 kg



### TOWEL RAIL HG-R

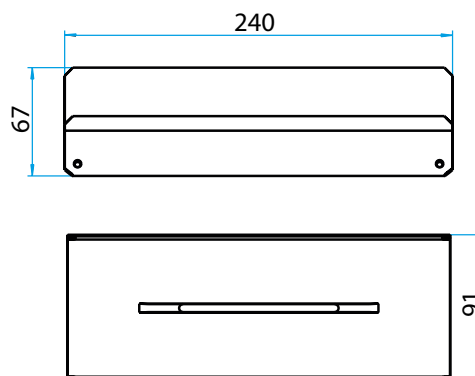
Article name	Drilling dimensions (L) in mm	Outer dimensions in mm	Weight in kg	Art. no.
HG-R-300	300	344	0.82	53 621 85
HG-R-600	600	644	1.14	53 624 85
HG-R-900	900	944	1.46	53 627 85



COMPLEMENTING ACCESSORIES

**SHOWER SHELF AS-XLS**

- Made of corrosion-resistant aluminium, high-polish anodised.
- Can be inserted in towel rail HG-R.
- With water drainage slot.
- Removable for easy cleaning.



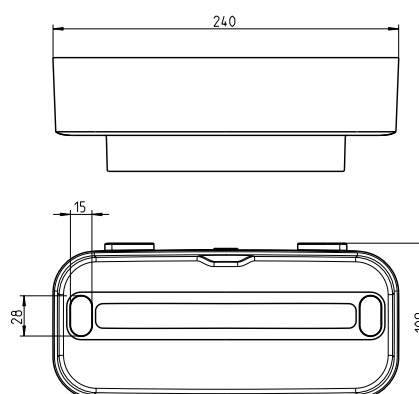
**SHOWER SHELF AS-XLS**

Article name	Length in mm	Weight in kg	Art. no.
AS-XLS	240	0.15	54 249 85

COMPLEMENTING ACCESSORIES

**SHOWER SHELF SS**

- Made of high-quality plastic.
- Can be inserted in towel rail HG-R.
- Water drainage can also be used to store wet shave razors.
- High rim for safe storage.
- Removable for easy cleaning.



**SHOWER SHELF DA**

Article name	Dimensions in mm	Weight in kg	Art. no.
SS	240 x 109	0.19	54 591 85



COMPLEMENTING ACCESSORIES

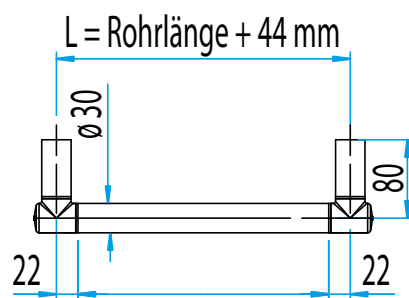
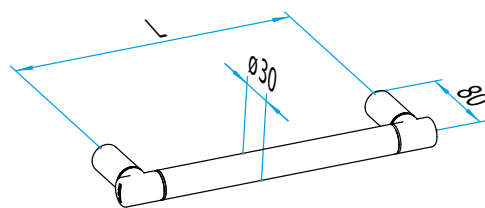
**FOOTREST  
HG-R**

- Round grip, made of corrosion-resistant aluminium, high-polish anodised materials.
- Includes concealed centralised fixing without rosettes.
- Very stable, resistant up to 150 kg



**FOOTREST HG-R**

Article name	Drilling dimensions (L) in mm	Outer dimensions in mm	Weight in kg	Art. no.
HG-R-169	169	213	0.78	54 041 85



COMPLEMENTING ACCESSORIES

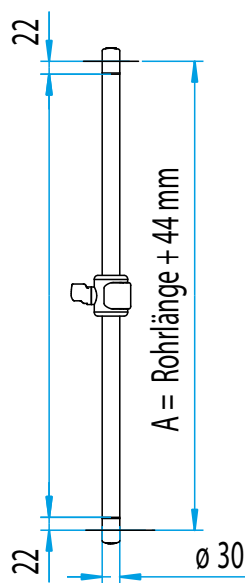
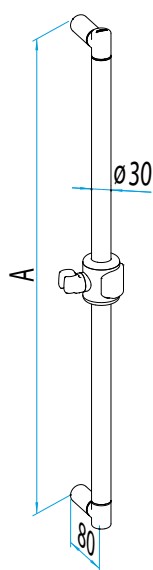
**SHOWER RAIL  
BS-R**

- Round grip, made of corrosion-resistant aluminium, high-polish anodised.
- Shower holder with conical shower fixture, continuously adjustable in height and inclination steplessly adjustable.
- Includes concealed centralised fixing without rosettes.
- Very stable, resistant up to 150 kg (BS-R-1200 up to 100 kg).



**SHOWER RAIL BS-R**

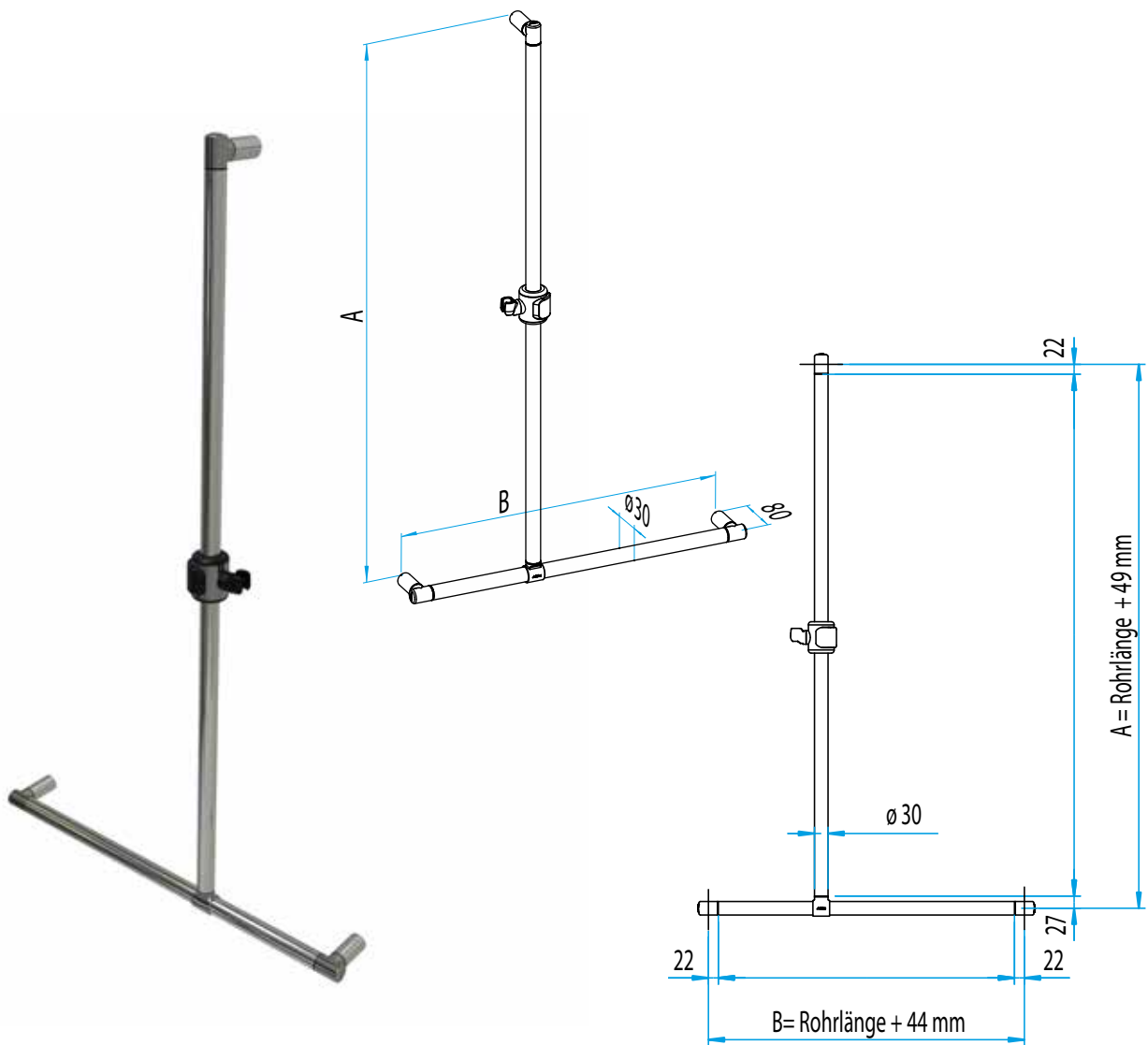
Article name	Drilling dimensions (A) in mm	Outer dimensions in mm	Weight in kg	Art. no.
BS-R-800	800	844	1.33	53 641 85
BS-R-1000	1,000	1,044	1.54	53 642 85
BS-R-1200	1,200	1,244	1.75	53 643 85



COMPLEMENTING ACCESSORIES

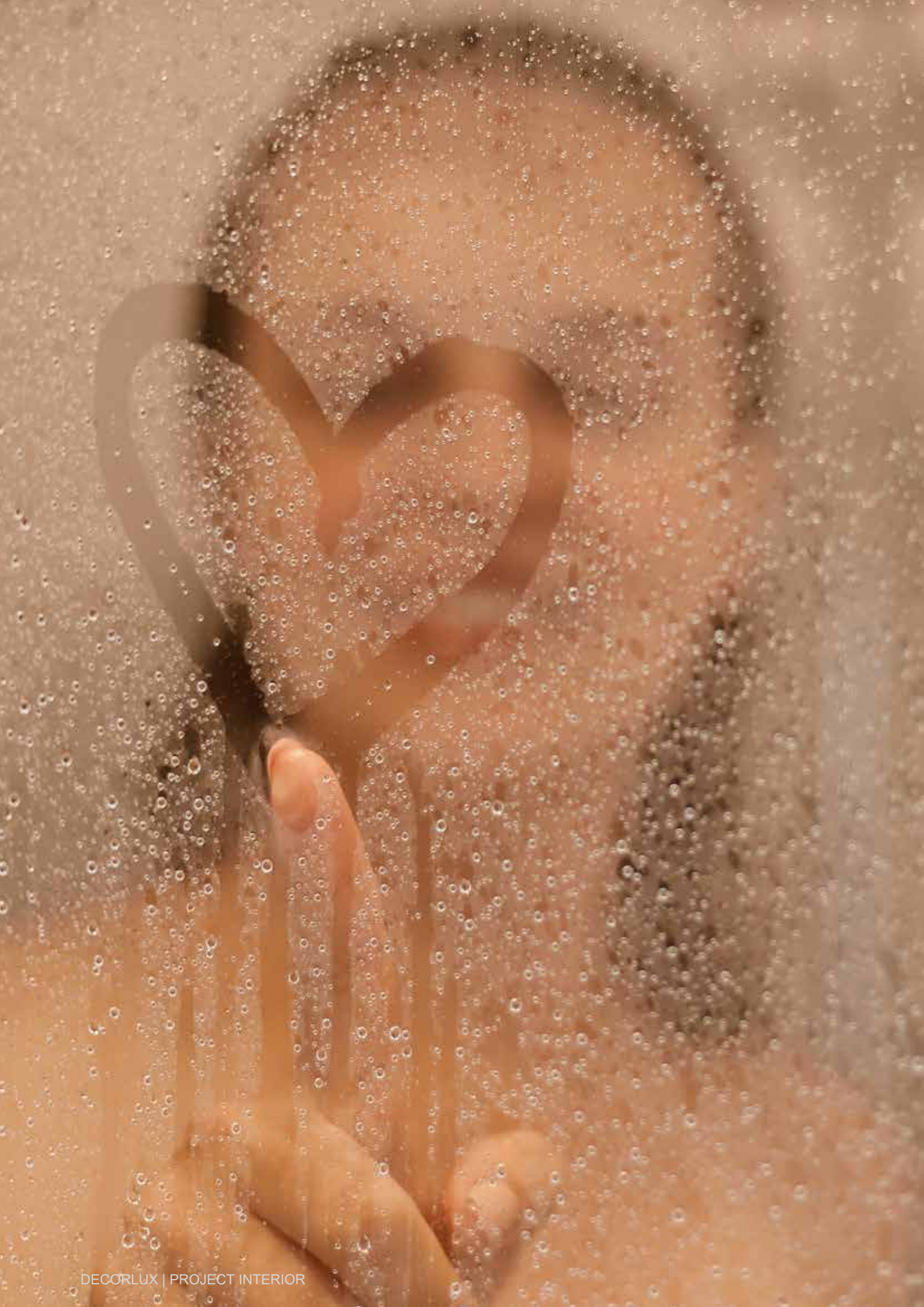
**SHOWER RAIL  
DB-R**

- Round grip, made of corrosion-resistant aluminium, high-polish anodised materials.
- Shower rail can be individually positioned via a T-link element.
- Shower holder with conical shower fixture, continuously adjustable in height and inclination.
- Includes concealed centralised fixing without rosettes.
- Very stable, resistant up to 150 kg horizontally, 100 kg vertically



**SHOWER RAIL DB-R**

Article name	Drilling dimensions (AxB) in mm	Outer dimensions in mm	Weight in kg	Art. no.
DB-R-1205x500	1,205 x 500	1,254 x 544	2.58	53 636 85
DB-R-1205x700	1,205 x 700	1,254 x 744	2.80	53 637 85





Colour your life.







Colourful stands for fun, diversity and optimism. Turn your bathroom into an eye-catcher by adding colour!



# COLORit Pure white



Single hook  
5396701



Double hook  
5396801



Coat hooks  
5396901



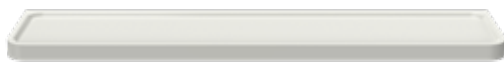
Toilet roll holder  
5397001



Spare toilet roll holder  
5397101



Shower shelf  
5459101



Shelf board  
5485601



Corner shelf  
5485501



Toilet brush set  
5397201

**... AND OTHER COMPLEMENTARY ACCESSORIES.**





# COLORit Stone grey



Single hook  
5396704



Double hook  
5396804



Coat hooks  
5396904



Toilet roll holder  
5397004



Spare toilet roll holder  
5397104



Shower shelf  
5459104



Shelf board  
5485604



Corner shelf  
5485504



Toilet brush set  
5397204

**... AND OTHER COMPLEMENTARY ACCESSORIES.**





# COLORit Anthracite grey



Single hook  
5396708



Double hook  
5396808



Coat hooks  
5396908



Toilet roll holder  
5397008



Spare toilet roll holder  
5397108



Shower shelf  
5459108



Shelf board  
5485608



Corner shelf  
5485508



Toilet brush set  
5397208

**... AND OTHER COMPLEMENTARY ACCESSORIES.**





COLORit

Ruby red



Single hook  
5396703



Double hook  
5396803



Coat hooks  
5396903



Toilet roll holder  
5397003



Spare toilet roll holder  
5397103



Shower shelf  
5459103



Shelf board  
5485603



Corner shelf  
5485503



Toilet brush set  
5397203

**... AND OTHER COMPLEMENTARY ACCESSORIES.**





# COLORit Pastel yellow



Single hook  
5396719



Double hook  
5396819



Coat hooks  
5396919



Toilet roll holder  
5397019



Spare toilet roll holder  
5397119



Shower shelf  
5459119



Shelf board  
5485619



Corner shelf  
5485519



Toilet brush set  
5397219

**... AND OTHER COMPLEMENTARY ACCESSORIES.**







Single hook  
5396730



Double hook  
5396830



Coat hooks  
5396930



Toilet roll holder  
5397030



Spare toilet roll holder  
5397130



Shower shelf  
5459130



Shelf board  
5485630



Corner shelf  
5485530



Toilet brush set  
5397230

**... AND OTHER COMPLEMENTARY ACCESSORIES.**



# COLORit Reseda green



Single hook  
5396744



Double hook  
5396844



Coat hooks  
5396944



Toilet roll holder  
5397044



Spare toilet roll holder  
5397144



Shower shelf  
5459144



Shelf board  
5485644



Corner shelf  
5485544



Toilet brush set  
5397244

**... AND OTHER COMPLEMENTARY ACCESSORIES.**



# COLORit Aqua blue



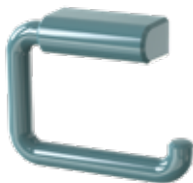
Single hook  
5396745



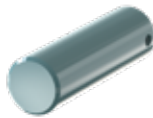
Double hook  
5396845



Coat hooks  
5396945



Toilet roll holder  
5397045



Spare toilet roll holder  
5397145



Shower shelf  
5459145



Shelf board  
5485645



Corner shelf  
5485545



Toilet brush set  
5397245

**... AND OTHER COMPLEMENTARY ACCESSORIES.**

COLORIT

**HOOKS**
**HAK / HAK-2 / HAK-LD**

**SINGLE HOOK HAK**

Article name	Dimensions in mm	Weight in kg	Art. no.	
HAK	46 x 53	0.02	53 967 ..*	


**DOUBLE HOOK HAK-2**

Article name	Dimensions in mm	Weight in kg	Art. no.	
HAK-2	46 x 54	0.05	53 968 ..*	

\* Please add the desired colour number to the last digits of the article no.:

 Standard colours 1 (SC1) 01 04 08 03 19 30 44 45

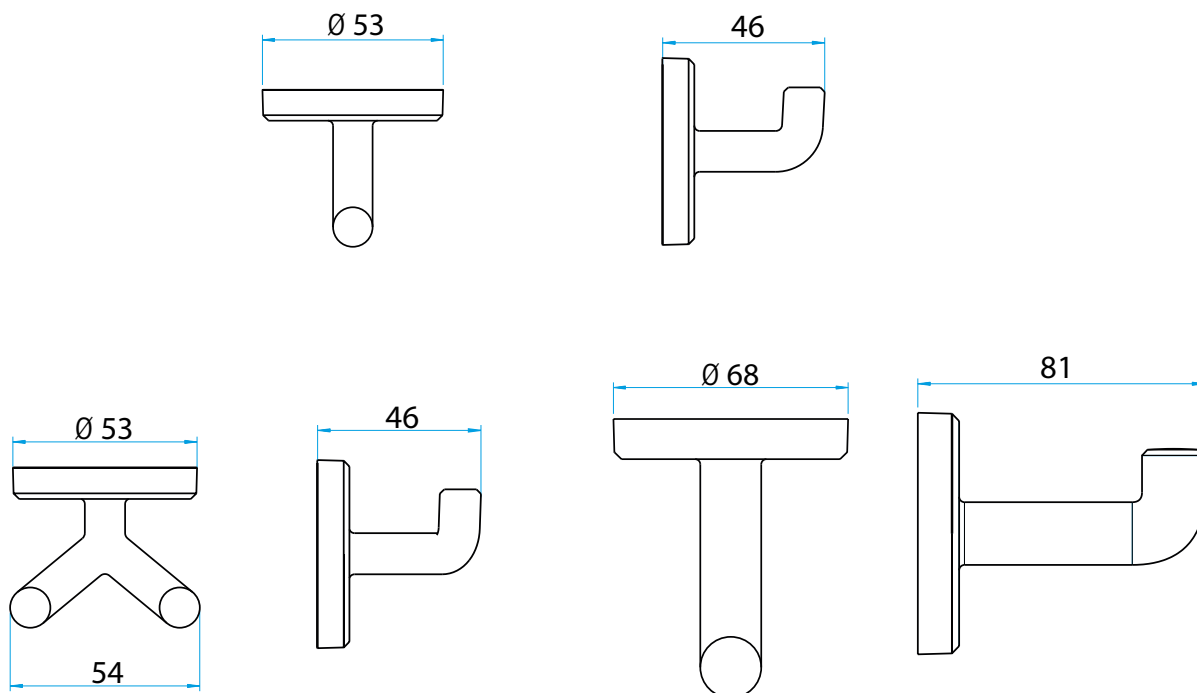


- Made of high-quality plastic.
- Including fastening set.



**LARGE HOOK HAK-LD**

Article name	Dimensions in mm	Weight in kg	Art. no.	
HAK-LD	81 x 68	0.05	53 969 ..*	



\* Please add the desired colour number to the last digits of the article no.:

Standard colours 1 (SC1) 01 04 08 03 19 30 44 45

COLORIT

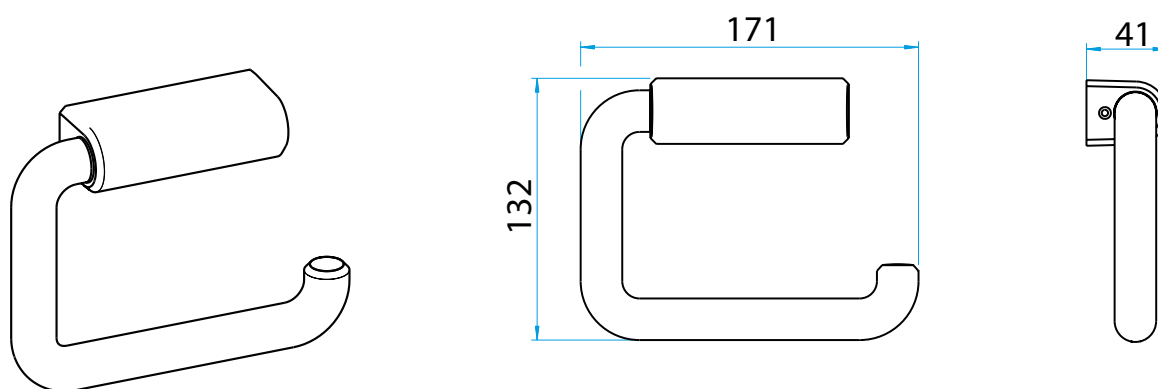
**TOILET ROLL HOLDER  
PAK-LE**

- Made of high-quality plastic.
- Including fastening set.



**TOILET ROLL HOLDER PAK-LE**

Article name	Dimensions in mm	Weight in kg	Art. no.
PAK-LE	132 x 171	0.27	53 970 ..*



\* Please add the desired colour number to the last digits of the article no.:

Standard colours 1 (SC1) (01) (04) (08) (03) (19) (30) (44) (45)

COLORIT

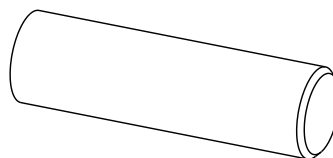
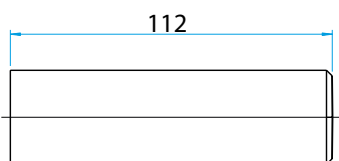
**SPARE TOILET  
ROLL HOLDER  
EPK-D**

- Made of high-quality plastic.
- Including fastening set.



**SPARE TOILET ROLL HOLDER EPK-D**

Article name	Dimensions in mm	Weight in kg	Art. no.
EPK-D	112	0.15	53 971 ..*



\* Please add the desired colour number to the last digits of the article no.:

Standard colours 1 (SC1) 01 04 08 03 19 30 44 45

COLORIT

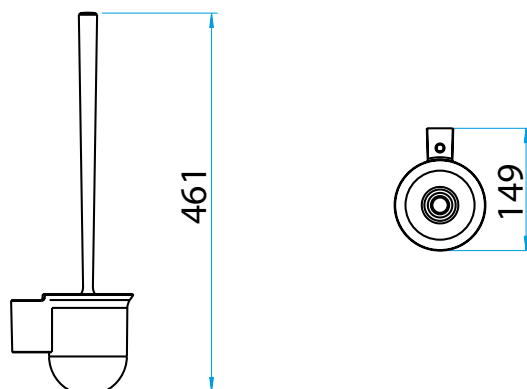
**TOILET BRUSH SET  
WBK-DN**

- For wall fixing made of high-quality plastic.
- Brush container made of plastic.
- Brush handle in Erlau standard colours.
- Black/grey brush head.
- Including fastening set.



**TOILET BRUSH SET WBK-DN**

Article name	Dimensions in mm	Weight in kg	Art. no.
WBK-DN	461 x 149	0.25	53 972 ..*



\* Please add the desired colour number to the last digits of the article no.:

Standard colours 1 (SC1) (01) (04) (08) (03) (19) (30) (44) (45)

COMPLEMENTING ACCESSORIES

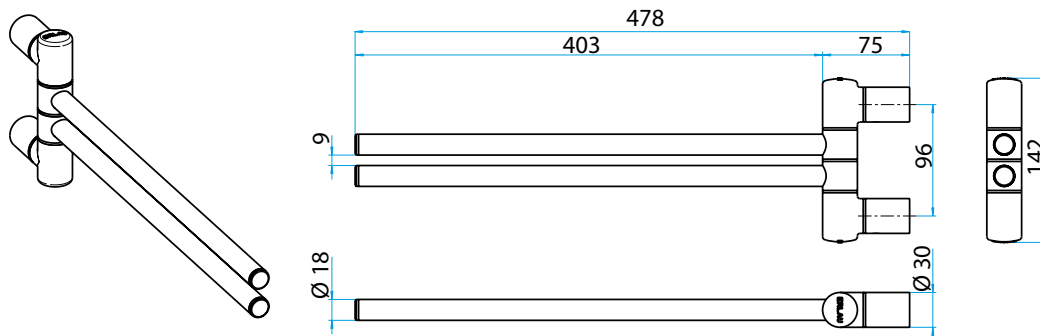
**TOWEL RAIL**  
**HHS**

- Projection 478 mm, 2-arm, pivoting, made of corrosion-resistant aluminium, polyamide-coated.
- Includes concealed centralised fixing without rosettes.



**TOWEL RAIL HHS**

Article name	Reach in mm	Weight in kg	Art. no.
HHS	478	0.85	54 092 ..*



\* Please add the desired colour number to the last digits of the article no.:

Standard colours 1 (SC1) 01 04 08 03 19 30 44 45



COLORIT

**CORNER SHELF**

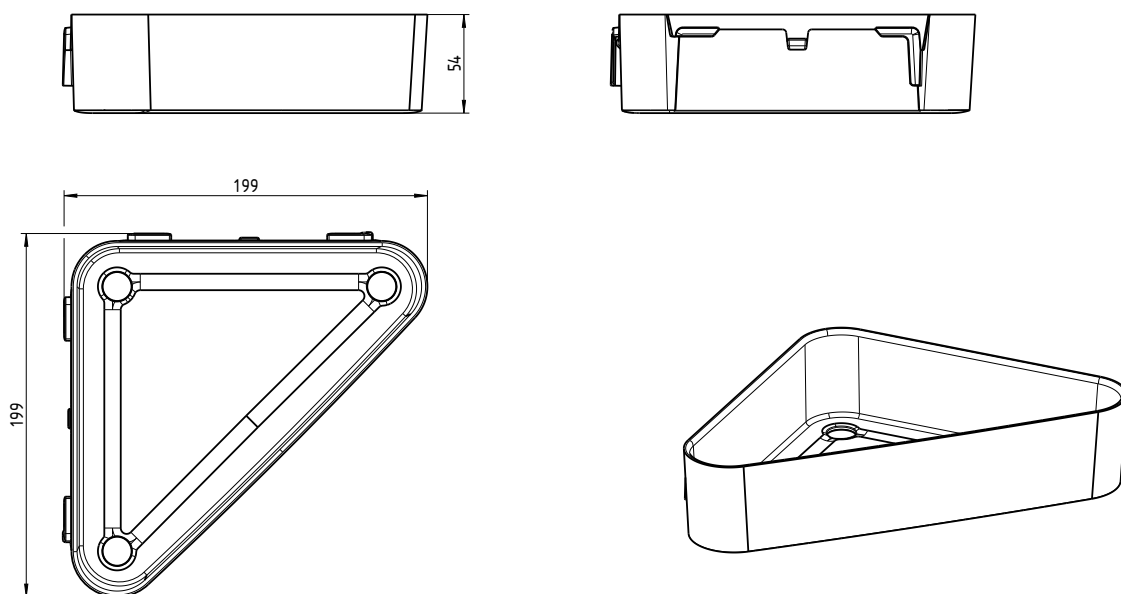
**EA-K**

- Made of high-quality plastic.
- With water drainage channels.
- High rim for safe storage.
- Removable for easy cleaning.
- Including fastening set.



**CORNER SHELF EA-K**

Article name	Dimensions in mm	Weight in kg	Art. no.
EA-K	199 x 199	0.26	54 855..*



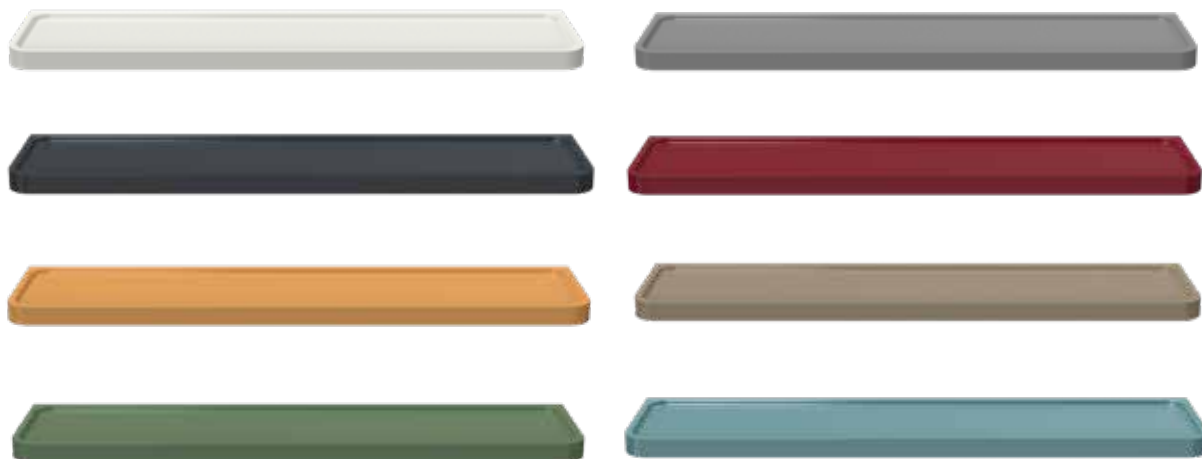
\* Please add the desired colour number to the last digits of the article no.:

Standard colours 1 (SC1) (01) (04) (08) (03) (19) (30) (44) (45)

COLORIT

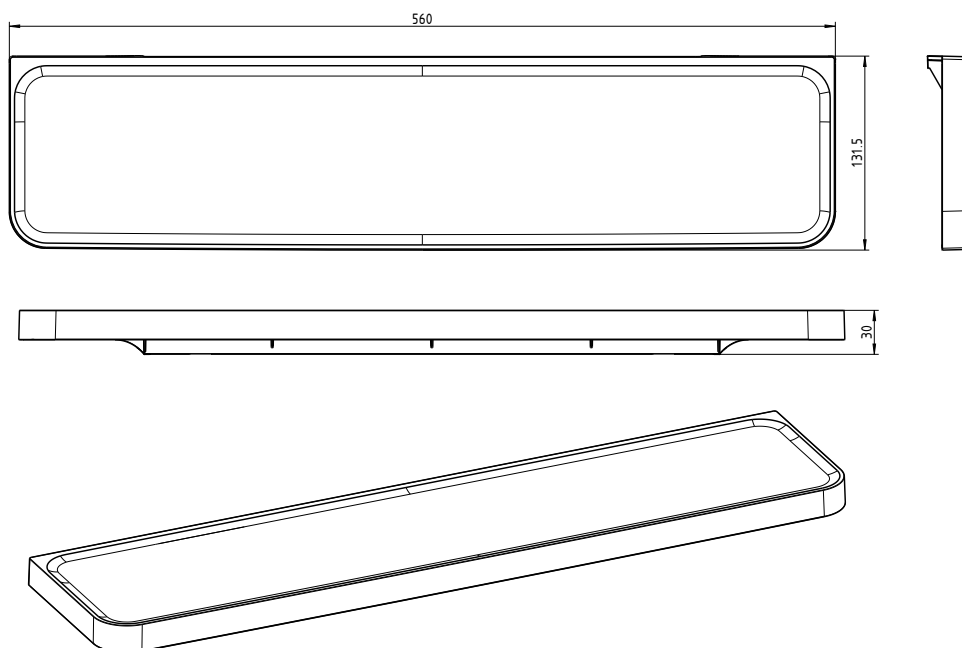
**SHELF BOARD  
AB-K**

- Made of high-quality plastic.
- Matt, resistant storage area,
- Slightly raised rim.
- Removable for easy cleaning.
- Including fastening set.



**SHELF BOARD AB-K**

Article name	Dimensions in mm	Weight in kg	Art. no.	
AB-K	560 x 1315	0.47	54 856..*	



\* Please add the desired colour number to the last digits of the article no.:

Standard colours 1 (SC1) (01) (04) (08) (03) (19) (30) (44) (45)

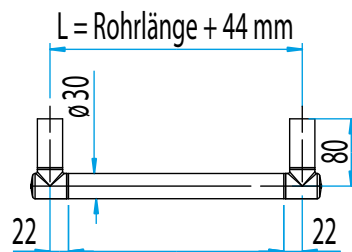
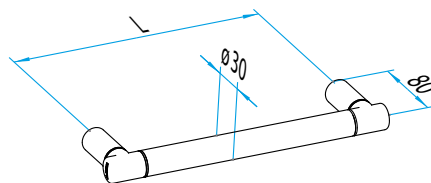
## COMPLEMENTING ACCESSORIES

**TOWEL RAIL**  
**HG-R**

- Round grip, made of corrosion-resistant aluminium, polyamide-coated.
- Includes concealed centralised fixing without rosettes.
- Very stable, resistant up to 150 kg


**TOWEL RAIL HG-R**

Article name	Drilling dimensions (L) in mm	Outer dimensions in mm	Weight in kg	Art. no.
HG-R-300	300	344	0.82	53 621 ..*
HG-R-600	600	644	1.14	53 624 ..*
HG-R-900	900	944	1.46	53 627 ..*



\* Please add the desired colour number to the last digits of the article no.:

Standard colours 1 (SC1) 01 04 08 03 19 30 44 45

COMPLEMENTING ACCESSORIES

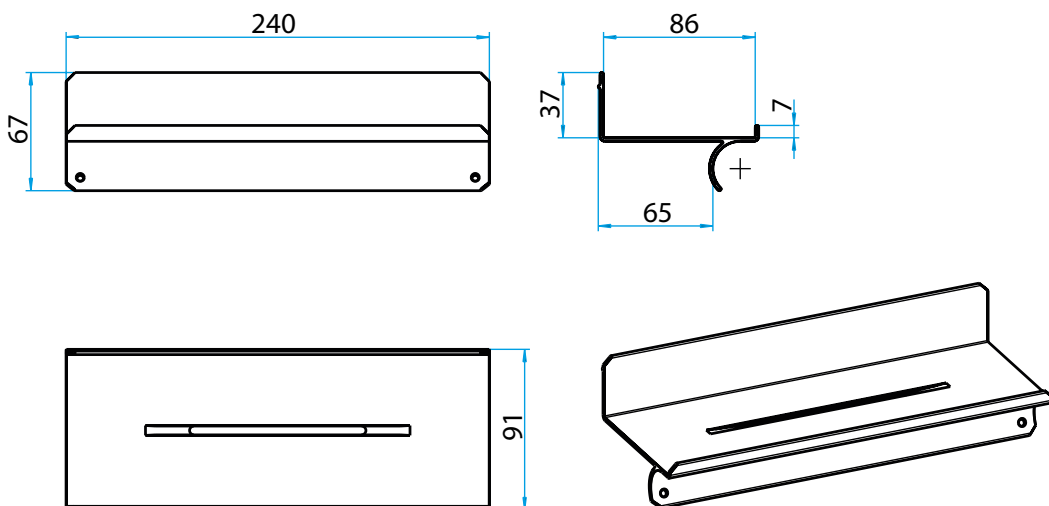
**SHOWER SHELF  
AS-XLS**

- Made of corrosion-resistant aluminium, polyamide-coated.
- Can be inserted in towel rail HG-R.
- With water drainage slot.
- Removable for easy cleaning.



**SHOWER SHELF AS-XLS**

Article name	Length in mm	Weight in kg	Art. no.
AS-XLS	240	0.15	54 249 ..*



\* Please add the desired colour number to the last digits of the article no.:

Standard colours 1 (SC1) (01) (04) (08) (03) (19) (30) (44) (45)

COLORIT

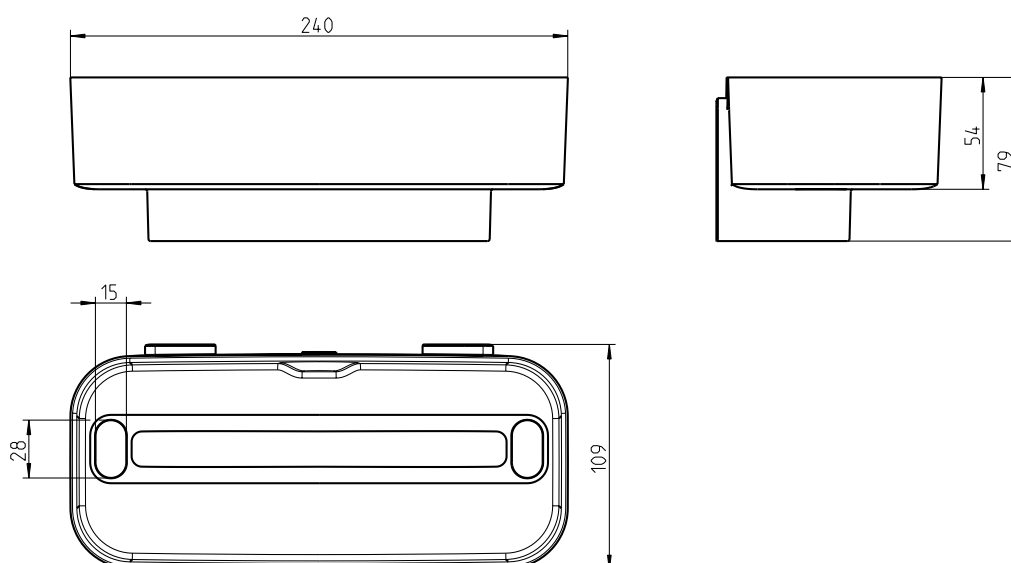
**SHOWER SHELF**  
**SS**

- Made of high-quality plastic.
- Can be inserted in towel rail HG-R.
- Water drainage can also be used to store wet shave razors.
- High rim for safe storage.
- Removable for easy cleaning.



**SHOWER SHELF DA**

Article name	Dimensions in mm	Weight in kg	Art. no.	
DA	240 x109	0.19	54 591 ..*	



\* Please add the desired colour number to the last digits of the article no.:

Standard colours 1 (SC1) (01) (04) (08) (03) (19) (30) (44) (45)



COMPLEMENTING ACCESSORIES

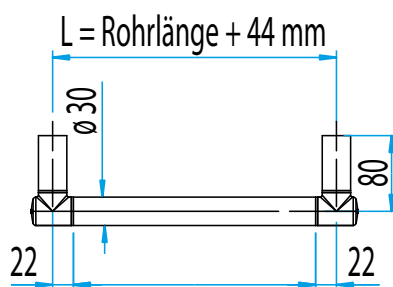
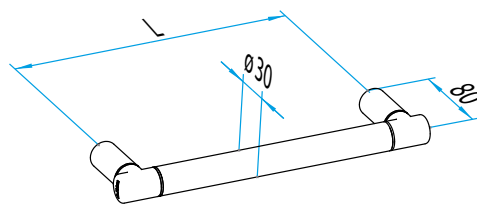
**FOOTREST  
HG-R**

- Round grip, made of corrosion-resistant aluminium, polyamide-coated.
- Includes concealed centralised fixing without rosettes.
- Very stable, resistant up to 150 kg



**FOOTREST HG-R**

Article name	Drilling dimensions (L) in mm	Outer dimensions in mm	Weight in kg	Art. no.	
HG-R-169	169	213	0.78	54 041 ..*	



\* Please add the desired colour number to the last digits of the article no.:

Standard colours 1 (SC1) 01 04 08 03 19 30 44 45

COMPLEMENTING ACCESSORIES

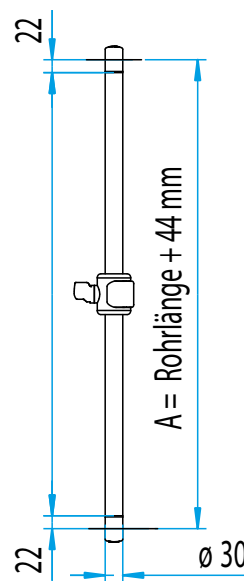
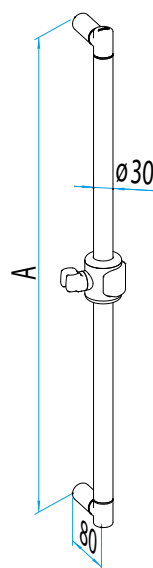
**SHOWER RAIL  
BS-R**

- Round grip, made of corrosion-resistant aluminium, polyamide-coated.
- Shower holder with conical shower fixture, continuously adjustable in height and inclination steplessly adjustable.
- Includes concealed centralised fixing without rosettes.
- Very stable, resistant up to 150 kg (BS-R-1200 up to 100 kg).



**SHOWER RAIL BS-R**

Article name	Drilling dimensions (A) in mm	Outer dimensions in mm	Weight in kg	Art. no.
BS-R-800	800	844	1.33	53 641..*
BS-R-1000	1,000	1,044	1.54	53 642..*
BS-R-1200	1,200	1,244	1.75	53 643..*



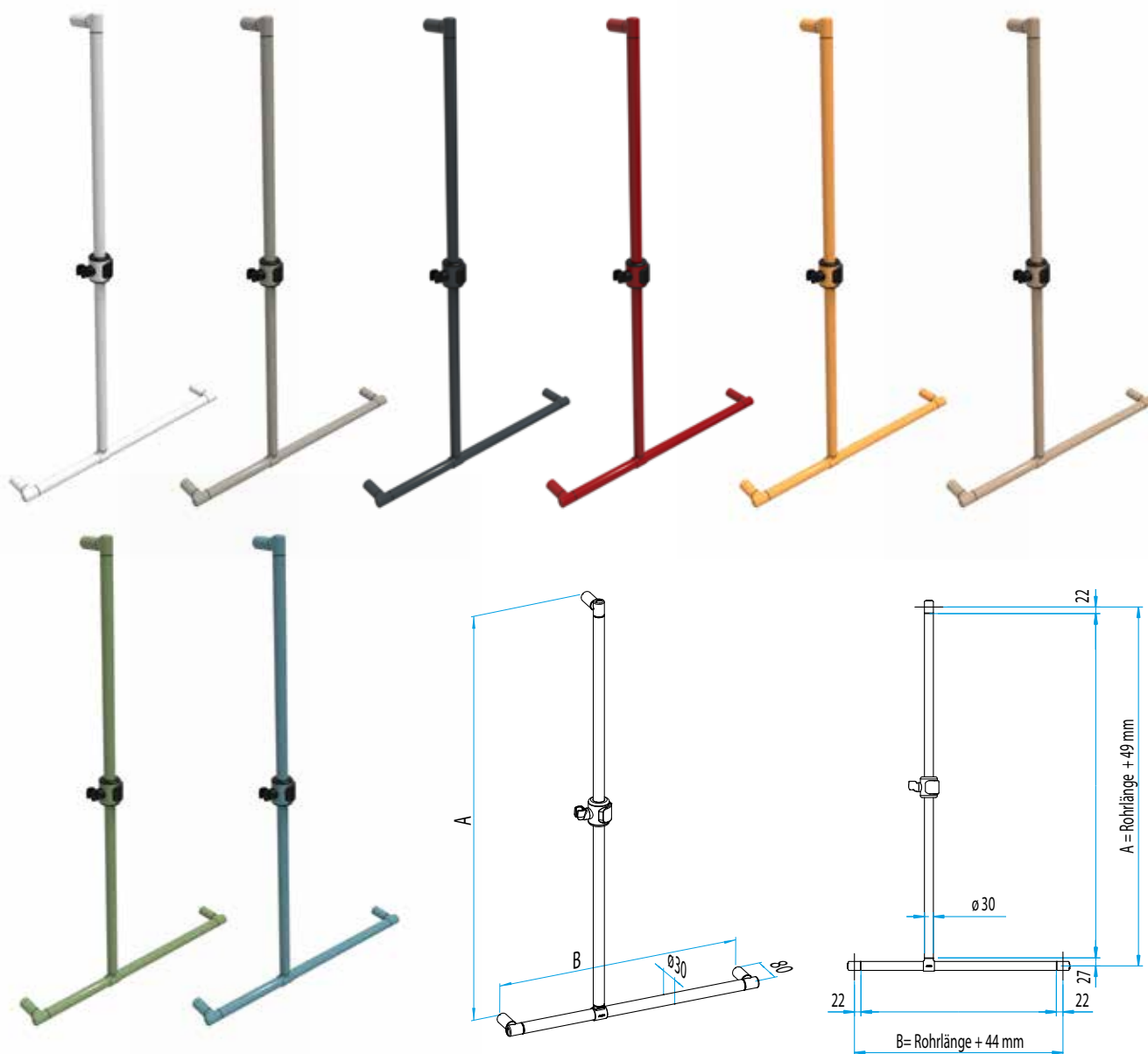
\* Please add the desired colour number to the last digits of the article no.:

Standard colours 1 (SC1) (01) (04) (08) (03) (19) (30) (44) (45)

## COMPLEMENTING ACCESSORIES

**SHOWER RAIL  
DB-R**

- Round grip, made of corrosion-resistant aluminium, polyamide-coated.
- Shower rail can be individually positioned via a T-link element.
- Shower holder with conical shower fixture, continuously adjustable in height and inclination.
- Includes concealed centralised fixing without rosettes.
- Very stable, resistant up to 150 kg horizontally, 100 kg vertically


**SHOWER RAIL DB-R**

Article name	Drilling dimensions (AxB) in mm	Outer dimensions in mm	Weight in kg	Art. no.	
DB-R-1205x500	1,205 x 500	1,254 x 544	2.58	53 636 ..*	
DB-R-1205x700	1,205 x 700	1,254 x 744	2.80	53 637 ..*	

\* Please add the desired colour number to the last digits of the article no.:

Standard colours 1 (SC1) 01 04 08 03 19 30 44 45

Harmony is created by  
the perfect addition.





## ACCESSORIES

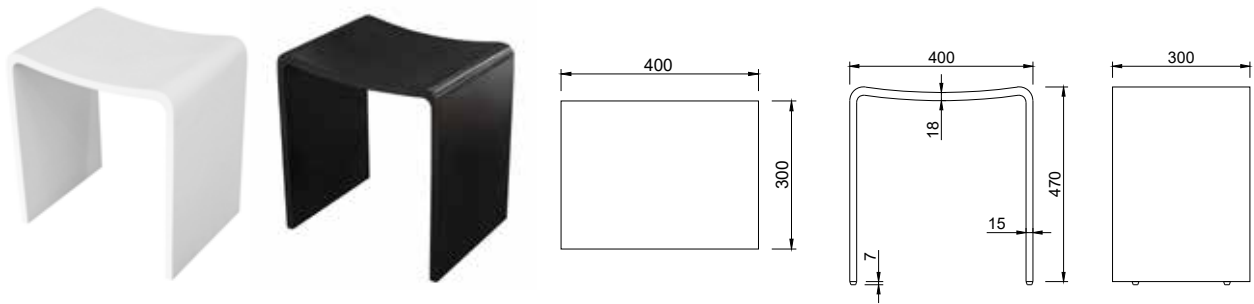
Complete your bathroom with the matching accessories from the ERLAU range of products.



ACCESSORIES

**SHOWER CHAIR HC1**

- Material: mineral material
- Surface: matt white or black
- Curved seating surface
- Load 150 Kg



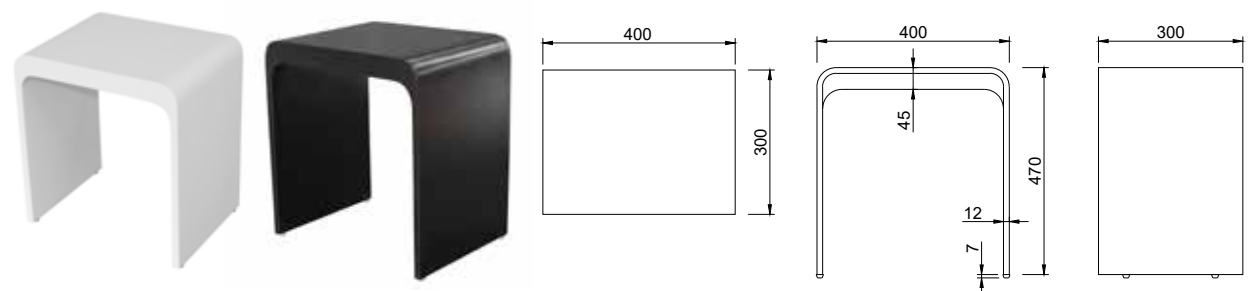
**SHOWERCHAIR HC1**

Article name	Seat width x depth x height in mm	Art. no.	
HC1 white	400 x 300 x 470	54 763 01	
HC1 black	400 x 300 x 470	54 763 36	

ACCESSORIES

**SHOWER CHAIR HC2**

- Material: mineral material
- Surface: matt white or black
- Level seating surface
- Load 150 Kg



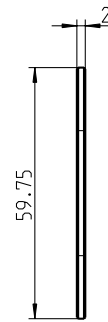
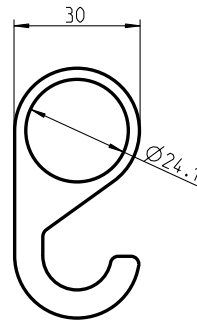
**SHOWER CHAIR HC2**

Article name	Seat width x depth x height in mm	Art. no.	
HC2 white	400 x 300 x 470	54 764 01	
HC2 black	400 x 300 x 470	54 764 36	

ACCESSORIES

**HOOKS  
HN**

- Made of corrosion-resistant aluminium, black anodised
- Suitable for towel rail HG-R, shower rail DB-R, and shower rail BS-R, can be used instead of spacer ring.



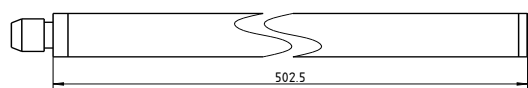
**HOOKS HN**

Article name	Weight per hook in kg	Art. no.	
HN set of 2	0.004	54 584 86	
HN set of 10	0.004	54 585 86	

ACCESSORIES

**HANDLE FOR TOILET  
BRUSH  
CUBE & CIRCLE**

- Made of corrosion-resistant stainless steel, chrome-plated or matt black coated
- Fits Circle and Cube
- 600mm long



**HANDLE FOR TOILET BRUSH CIRCLE**

Article name	Length in mm	Weight in kg	Art. no.	
BRUSH HANDLE EXTRA LONG CHROME	600	0.20	54 883 85	
BRUSH HANDLE EXTRA LONG MATT BLACK	600	0.20	54 883 36	

ACCESSORIES

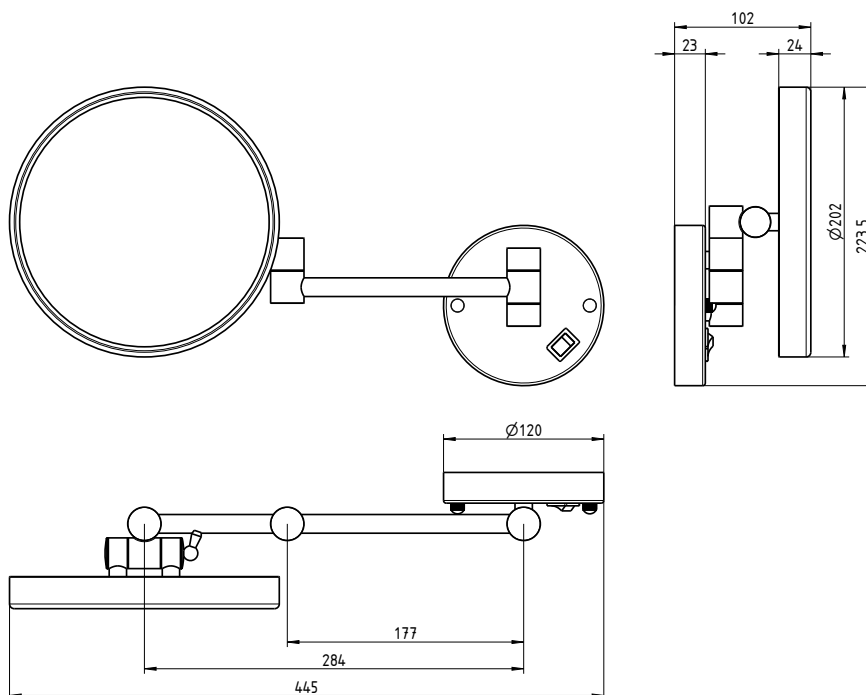
## COSMETIC MIRROR

- Made of corrosion-resistant brass and stainless steel, chrome-plated or matt black coated
- illuminated, 220V
- with triple magnification
- Includes concealed centralised fixing



### COSMETIC MIRROR

Article name	Dimensions in mm	Weight in kg	Art. no.
COSMETIC MIRROR CHROME	202	1.70	54 884 85
COSMETIC MIRROR MATT BLACK	202	1.70	54 884 36



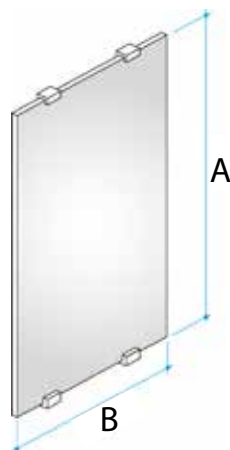
ACCESSORIES  
**MIRRORS**

- 6 mm thick, all edges polished, coordinated to the grab rail with shelf.
- Incl. mirror fixing set (clips).



**MIRROR SP**

Article name	Dimensions (AxB) in mm	Weight in kg	Art. no.	
SP-600x600	600 x 600	3.50	50 069 81	
SP-1000x600	1,000 x 600	6.00	50 069 75	
Mirror glue set Safeclix			50 083 60	



ACCESSORIES

**HAND SHOWER  
HBR**

- Gloss chrome.
- Extra lightweight.
- Triple adjustable (shower, soft or massage jet).
- Suitable for immersion heaters.

**HAND SHOWER HBR**

Article name	Weight in kg	Art. no.	
HBR	0.10	501 180	

ACCESSORIES

**SHOWER HOSE  
BRS**

- Metal effect shower hose with conical nut R 1/2" and seals.

**SHOWER HOSE BRS**

Article name	Length in mm	Weight in kg	Art. no.	
BRS	1,600	0.20	501 166	





## NOTICES

## CLEANING RECOMMENDATION

**Please note the following when cleaning your products:**

- Only use cleaning agents intended for cleaning bathroom fittings.
- Avoid heavily acidic aids, which contain hydrochloric acid, nitric acid, phosphoric acid, acetic acid and formic acid for example.
- Avoid strong auxiliary materials containing lyes, e.g. bleach lyes, industrial cleaners, barbecue and pipe cleaners, floor cleaners and solvents (e.g. acetone).
- For cleaning, use a soft cloth, e.g. microfibre, and avoid abrasive cleaners and brushes, scouring pads and kitchen sponges as these can damage the surface.
- Do not spray the cleaning product directly onto the product, but apply it using a cleaning cloth.
- After cleaning, rinse the product with clear water or wipe off any remaining detergent with a cloth.
- Remove dirt and residues of body and cleaning products such as soap and shampoo from the product as early as possible to prevent them from sticking to the surface.
- Observe the application instructions of the cleaning product manufacturer (concentration and contact time).
- On surfaces, that have become damaged during use the damage may be extended by exposure to cleaning products of any kind.

In order to be able to guarantee a permanently visually highly appealing Erlau product with a long service life, we recommend that you clean the accessories gently on a regular basis!

Improper handling or improper care can attack or damage the surface. No warranty can be given for any damage resulting from this.

GTC

# TERMS OF DELIVERY & PAYMENT

## for Germany

All prices are in EURO per item plus VAT. Delivery ex works Aalen on the basis of our General Terms and Conditions of Sale (GTC). Available at [www.erlau.com](http://www.erlau.com), subject to the fulfilment of the conditions of our trade credit insurance.

Our invoices are payable within 10 days with 1.5% discount or after 30 days without deduction.

Complaints of any kind will only be considered within 14 days after receipt of the goods. Immediately upon receipt of the goods, the recipient shall inspect them both quantitatively and qualitatively to determine whether they deviate from the contractually agreed quality. Visible defects must be reported in writing within 14 days, non-visible defects immediately after detection, at the latest within 6 months after receipt of the goods.

Postal or carrier deliveries within the Federal Republic of Germany are generally carriage paid (with the exception of express deliveries).

For shipments outside the German mainland, freight is offered and charged individually.

The packaging will neither be charged nor taken back; seaworthy packaging, however, will always be invoiced.

Within the Federal Republic of Germany, our packaging can be registered for collection with Interseroh.

All prices are without installation work. Detailed instructions are available for installation by clients. Unloading and/or dividing up the ordered goods to individual floors, storage locations and parking spaces is not part of our scope of services.

We exclude the return of goods without our express consent.

If we agree to take back goods, only our return notes are to be used.

# ERLAU®

SIMPLE.SAFE.EXCELLENT.



## CONTACT

[www.decorlux.be](http://www.decorlux.be)

**DECORLUX**

[info@decorlux.be](mailto:info@decorlux.be)

+32 (0)3 777 69 88 ☒ Antwerpsesteenweg 96  
+32 (0)3 778 13 17 B-9140 TIELRODE

A company of the group

**RUD®**